

## Headquarters

### Xinchang

ADD : Provincial High Tech Park,  
Xinchang County, Zhejiang Province, China  
EMAIL : jc35@jiecang.com  
TEL : 400-6666-358  
FAX : +86-575-86297960

## Global Divisions

### America

ADD : 500 West Street, Cedar Springs, MI 49319  
EMAIL : chase.lien@jiecang.com  
TEL : +616-952-0630

### Germany

ADD : Emanuel-Leutze-Str.11, 40547 Düsseldorf,  
Germany  
EMAIL : info@jiecangeurope.com  
TEL : +49(0)21156677116

### Japan

ADD : 1F, 13-34-3, Ikebukuro, Toshimaku, Tokyo,  
171-0014, Japan  
EMAIL : jsjp03@jiecang.co.jp  
TEL : +03-6206-6856  
FAX : +03-6206-6857

### India

ADD : 1204, Best Sky Tower, Netaji Subhash Place Pitampura,  
Delhi-110034  
EMAIL : fahim@jiecang.com  
TEL : +91-7483686104

### Malaysia

ADD : No 90 & 91, Jalan i-Park 1/10, Kawasan Perindustrian i-Park  
Bandar Indahpura, 81000 Kulai, Johor, Malaysia  
EMAIL : zhihong.yong@jiecang.com  
TEL : +607 670 1098

### Ningbo

ADD : Linxu Road&Chaosheng North Crossroad,  
Cidong Economic Development Area, Cixi, Ningbo,  
Zhejiang, China

### Guangzhou

ADD : No.114, Building 4, Qixi creative park,  
No.24 Xinyi road, Fangcun avenue east, Liwan district,  
Guangzhou, China  
EMAIL : sales24@jiecang.com  
TEL : 020-89114036  
FAX : 020-89114037

# MEDICAL-CARE

## PRODUCTS CATALOGUE



2022.10



## ABOUT JIECANG

JIECANG was founded in 2000 in Zhejiang province of China and was listed on the Shanghai Stock Exchange in September 2018. We focus on the development, production and sales of linear motion products.

We provide the intelligent motion solutions to intelligent office, medical care, smart home, technical industry and many other fields.

As one of China's high-tech enterprises, JIECANG took the lead in creating the industry standards for the linear actuator and height adjustable table market in China. The company actively helped building up the industry and its standard processes.

Currently, JIECANG has subsidiaries as well as production sites in Asia, Europe and the USA. The company has a total of 594600 square meters, 3500 employees.

# CONTENTS

## 01

### About JIECANG

Company advantage

## 02

### Application

Operating system

## 03

### Products

Linear Actuator  
Lifting Column  
Controller  
Operator  
Accessories

# JIECANG ADVANTAGE



### Professional and efficient customization

Both software and hardware can be customized to meet customer needs. For example, the actuator specifications can be adjusted according to the application and the software for special function can be developed. Our efficient development team allows your products to win market opportunities.



### Strictly comply with medical safety regulations

Medical products are committed to the EMC testing requirements of domestic medical devices, and the products comply with ISO9001:2015 and ISO14001:2015 management systems. Export products have passed CE, UL, CE, RoHS, PSE, SAA and other international approvals to ensure that your products meet the standards of various countries.



### Targeted development for the global market

Refine the product market and develop products targeted for a wide range of applications. Our endcustomers involve multiple industries and all over the world.



### Global pre-sales and after-sales service

Our branches are located in Europe, America, and Asia Pacific. We can reply to you within 24 hours, give feedback or propose solutions within 48 hours. JIECANG provides a 5-year warranty service.



### Can-Bus communication protocol

JIECANG specially developed Can-Bus communication protocol, enabling manufacturers to easily and smoothly integrate intelligent and reliable movement with control system. It allows to provide more functions to the customer's control system.



### Solutions to ensure safety

Our IPX6 rated products are washable and easy to clean. Anti-pinch solution, quick release solution and anti-collision solution ensure the safety of users. Twenty thousand fatigue tests ensure the stability of the system.



# Actuator System for Hospital bed

## Tilting technology

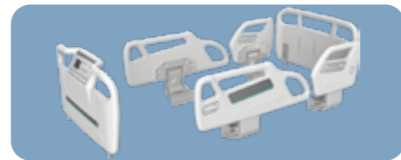
Innovative tilting technology with softstart-columns helps turning the patient gently with less physical effort.



JCHN35E1

## Bed exit alarm

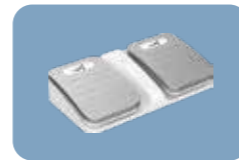
Fall prevention by monitoring the patient's presence in the bed.



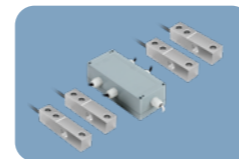
Newly upgraded guardrail

## CAN-BUS technology

Control box with CAN-BUS technology, highly expandable.



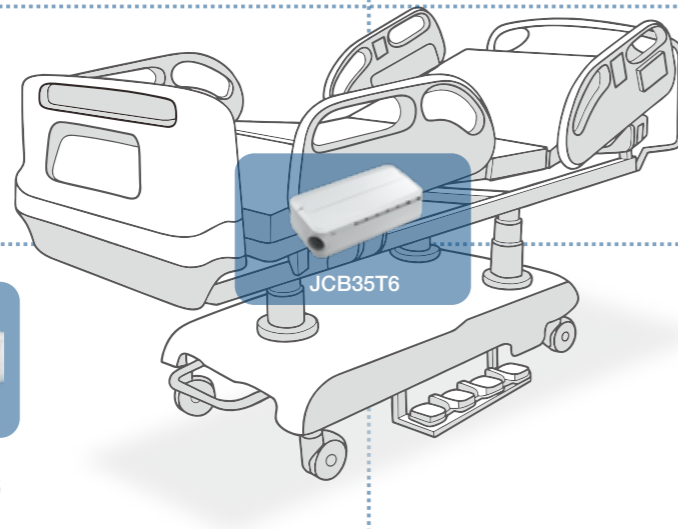
JCF35V



Weighing system



JCP35C3 JCP35C5



JC35L3



JC35L10



JC35EG\*3

# Newly upgraded guardrail

1. Brand new guardrail, novel and unique in shape, and has appearance patent
2. Comply with (EN60601-2-52) standard to ensure that customers pass various tests
3. The footboard of the bed can be adapted to a variety of operators (3.5 inches, 7 inches)



7 inches



3.5 inches



# THE UNDER-BED LIGHT PROVIDES USERS MORE INTIMATE PROTECTION



The newly built and upgraded nurse control brings greater convenience to medical staff

Magnetic lock

Bed Control

Patient Information

Extended Function

System Settings

Weighting Function

## Actuator System for Home-care beds

### Extra low voltage

SMPS with safety extra-low voltage system.

### High-speed actuator

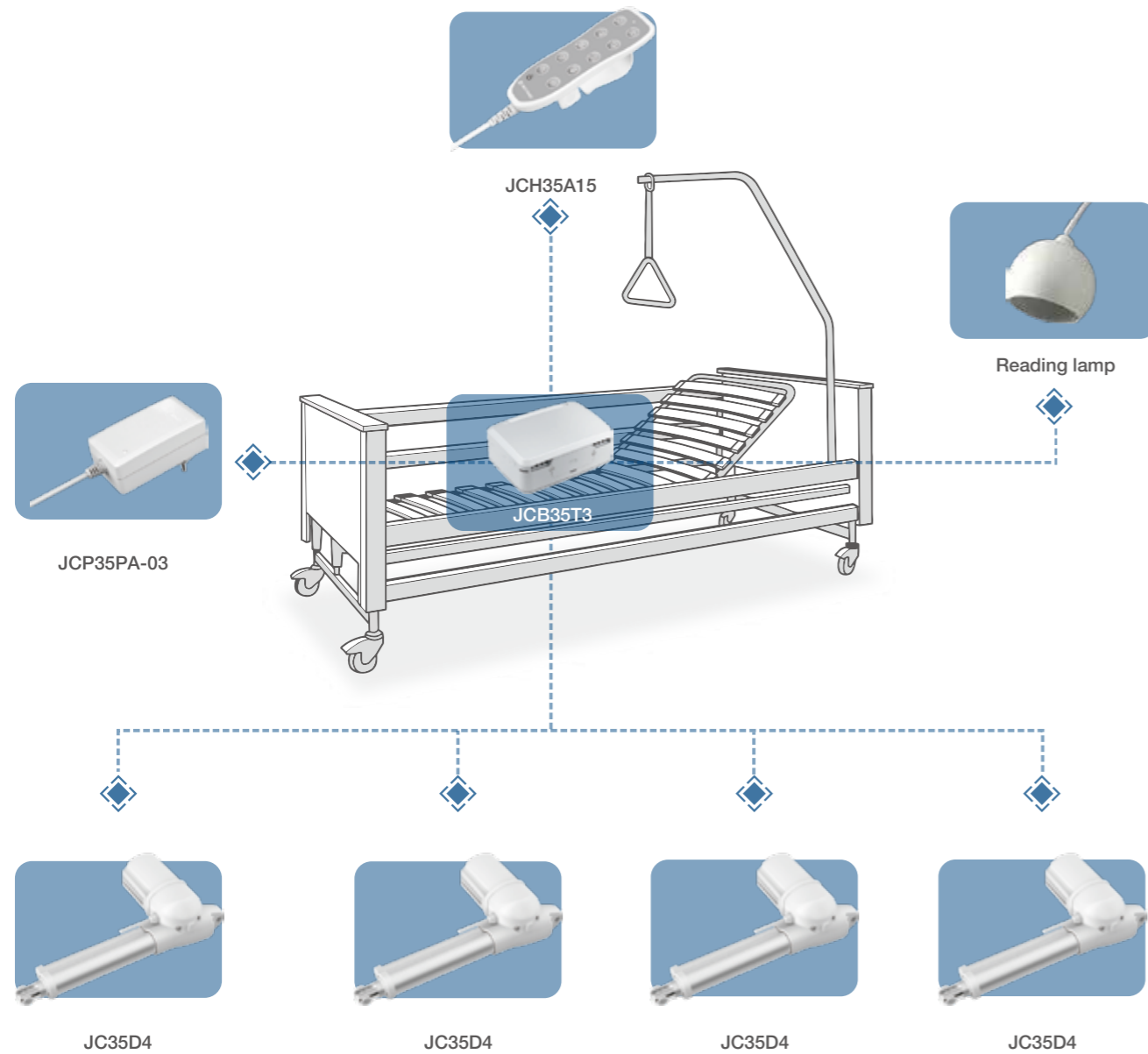
36V/6A output with highspeed actuators.

### Floor lamp

The control box comes with floor-light function.

### Advanced welding

Advanced welding method for the control box brings better IP protection and makes the box more compact.



## Actuator System for Patient lift

### Intelligent & Easy Maintenance

Directly review and set via display – access to usage record, service alert, over current protection, cycle counting.

### High performance Li-ion battery

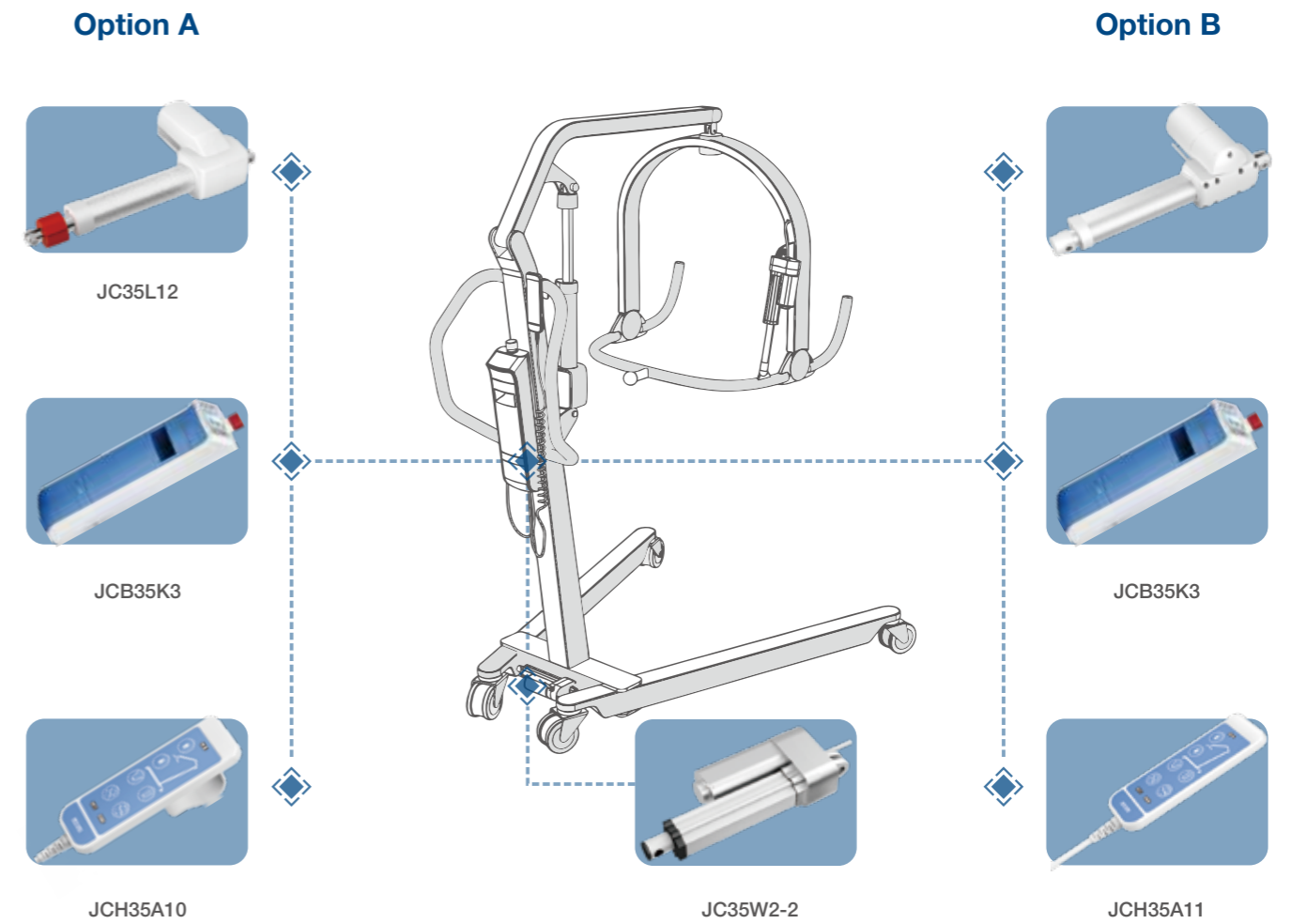
Different capacities to choose, easy to handle, state of the art-battery, long lifespan, small and light.

### Customizable

Front panel of the control box and handset available in further colors according to customer's wish.

### Easy cleaning

Max. IPX6, smooth surface for efficient cleaning of the system.



## Actuator System for Treatment couch

### IPX6

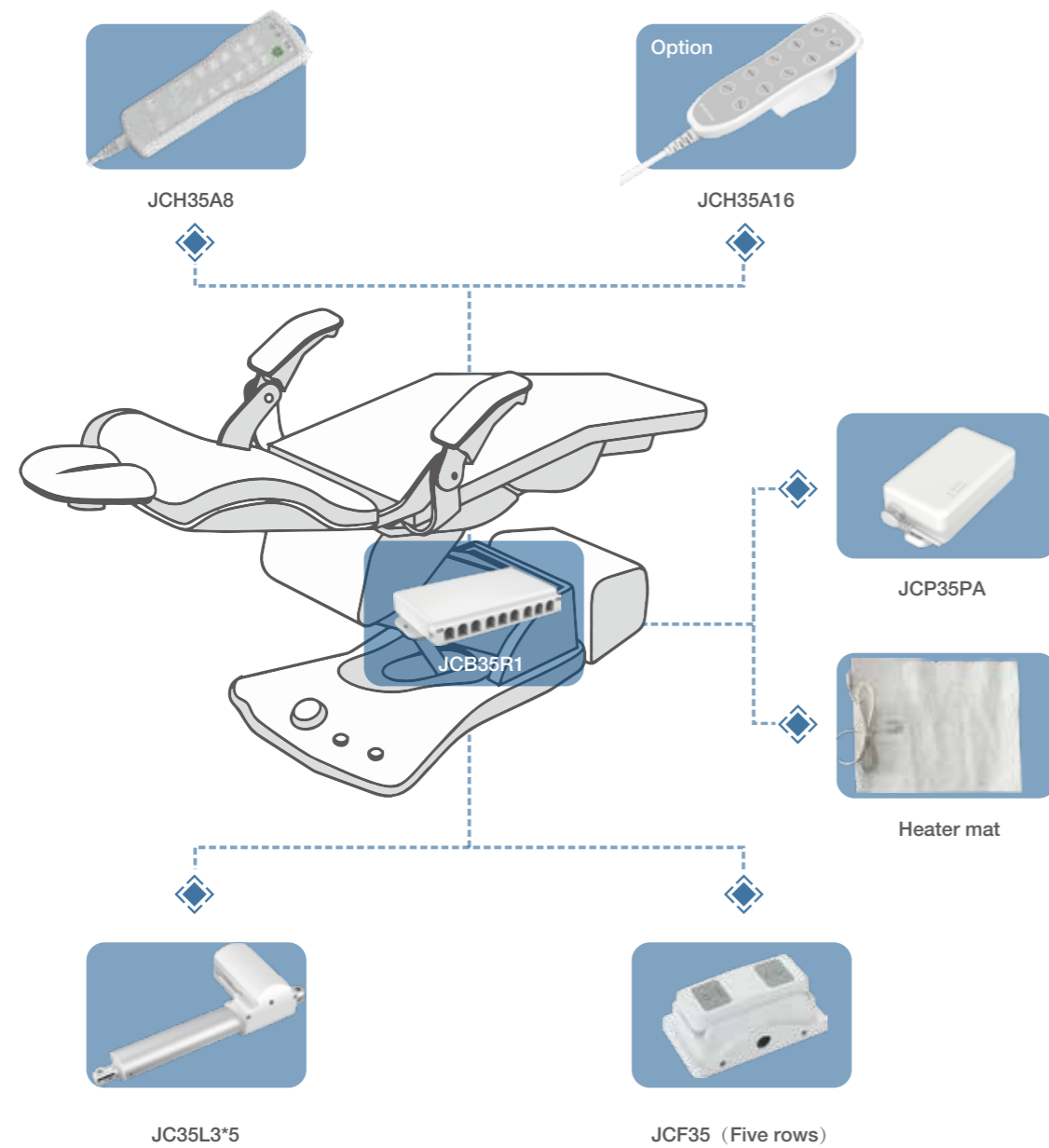
Max IPX6 for the whole system.

### Heavy load

Columns optional with max. load 6000N push.

### Suitable for a variety of systems

Use this for dialysis, beauty- and cosmetic applications



## Actuator System for Bath lift

### Ergonomics structure

Widened flap cover, convenient for users enter the bathtub rapidly.

### Safety guarantee

IPX8 protection grade, more better in anti-skidding, with emergency button.

### Portable structure

Foldable storage, more space-efficient.

### Lithium battery

After fully charge, could operate more than 10 times continuously.





# LIFT TOILET

## JC35LT1

- The motion trajectory is derived based on the proportion of human action model data of different heights, which is more suitable to the user's usage habits.

Provide multi-functional custom development, optional wireless remote control, smart toilet cover, voice interaction, backup power supply, bluetooth, WIFI function, etc.



## JC35LT2 Features



The structural framework is convenient for customers to develop and adapt to different appearances to meet the different needs of the terminal.





# ELECTRIC WHEELCHAIR SYSTEM

- Portable electric wheelchair: compact & light, Motor diameter: 80mm, Motor weight: 2.8kg.
- Dual brake system: dual control battery and electronic.
- Noise level <52dB, horn 108dB.
- 10Ah battery ensures up to 20km range.
- Sinusoidal Motor Vector Control for precise operation and maximum driving comfort.
- Low speed mode: minimum speed 0.1km/h.

## Electric wheelchair servo control system

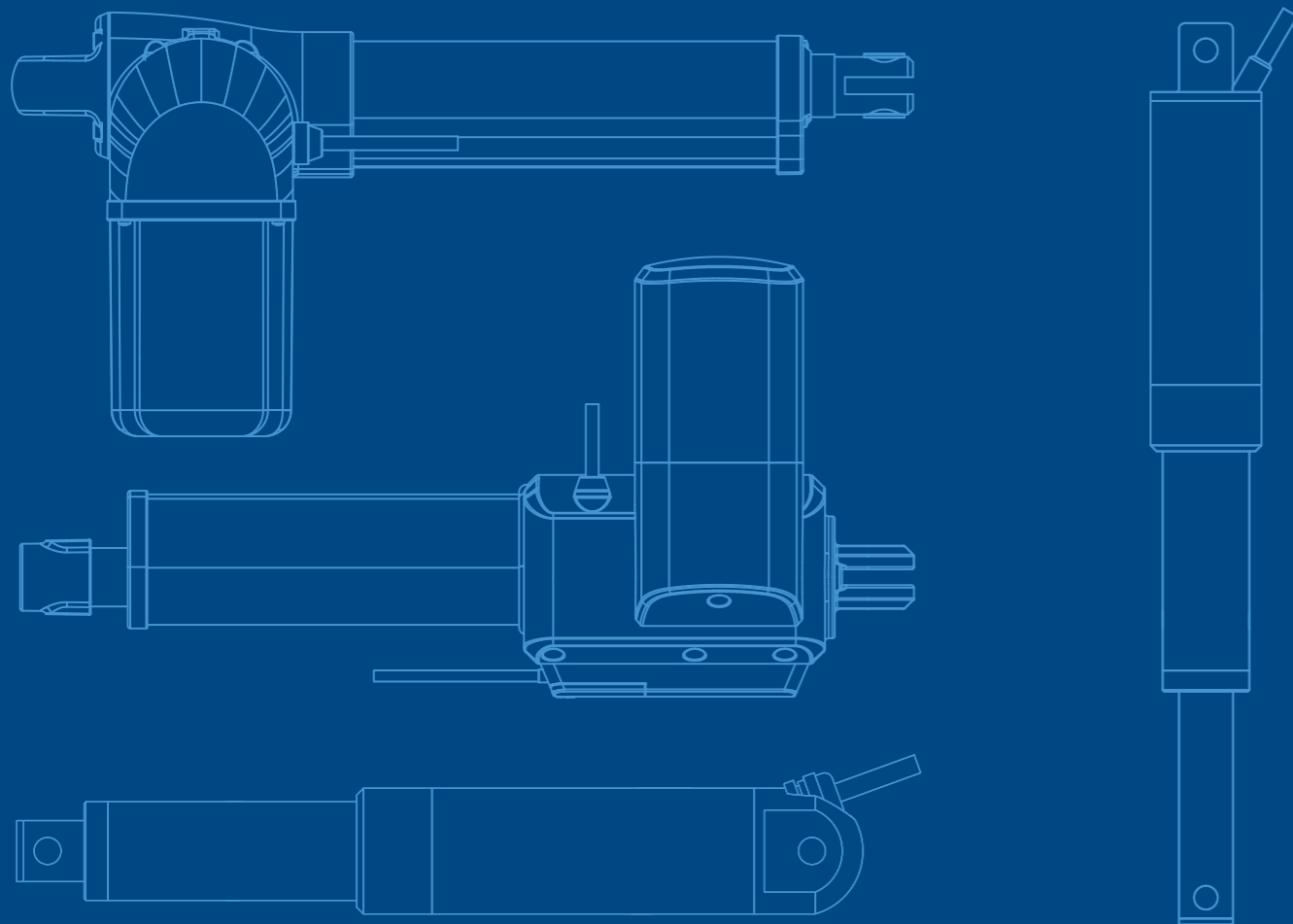


## Optional

Optional 2 or 4 way actuator control. Human-machine interaction applications can be added.



**SAFE AND RELIABLE**  
**PROFESSIONAL CUSTOMIZATION**  
**SATISFIES**  
**CUSTOMERS' NEEDS**



## JC35L28

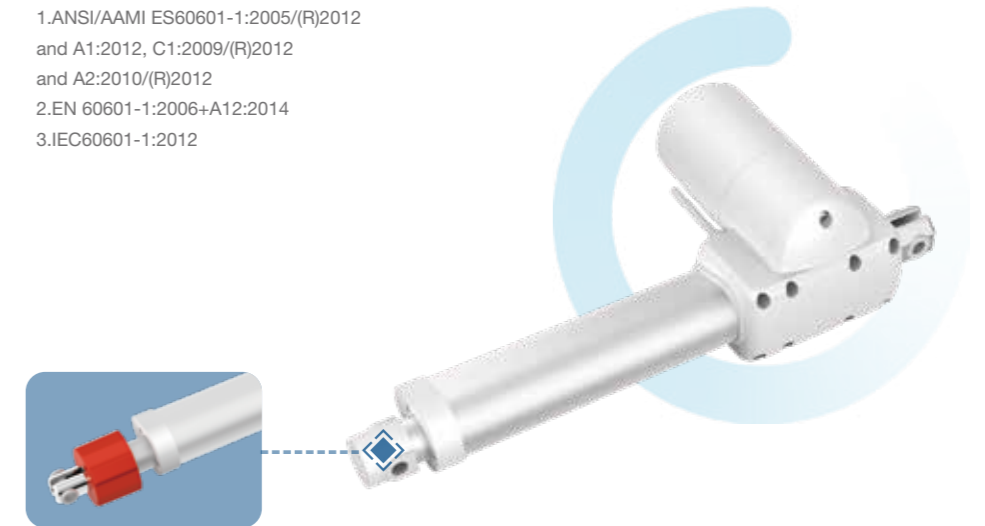
LINEAR ACTUATOR

### Feature

- Max. load push(N): 10000
- Max. speed(mm/s): 7.3
- Installation dimensions:  
 $L=235(20 \leq S \leq 50, \text{ standard})$   
 $L=S+185(50 < S \leq 250, \text{ standard})$   
 $L=S+260(50 < S < 300, \text{ manual operation})$   
 $L=S+290(300 \leq S \leq 400, \text{ manual operation})$
- IP grade: Max. IPX6
- Option:  
 Only push no pull  
 Hall sensor  
 Manual operation  
 Safety nut

### Approval

- 1.ANSI/AAMI ES60601-1:2005/(R)2012 and A1:2012, C1:2009/(R)2012 and A2:2010/(R)2012
- 2.EN 60601-1:2006+A12:2014
- 3.IEC60601-1:2012



## JC35L12

LINEAR ACTUATOR

### Feature

- Max. load push(N): 8000
- Max. load pull(N): 8000
- Max. speed(mm/s): 7.5
- Installation dimensions:  
 $L=310 (S \leq 50)$   
 $L=S+260 (50 < S < 300)$   
 $L=S+290(300 \leq S \leq 400)$
- IP grade: Max . IPX6
- Option:  
 Only push no pull(Standard)  
 Manual operation(Standard)  
 Safety nut(Standard)

### Approval

- 1.ANSI/AAMI ES60601-1:2005/(R)2012 and A1:2012, C1:2009/(R)2012 and A2:2010/(R)2012
- 2.EN 60601-1:2006+A12:2014
- 3.IEC60601-1:2012



# JC35L23

LINEAR ACTUATOR

### Feature

- Max. load push(N): 6000
- Max. speed(mm/s): 7
- Installation dimensions:  
L=S+185(50≤S≤300)  
L=S+195(50≤S≤300,with anti-pitch option)
- IP grade: Max. IPX6
- Option:  
Quick release (standard)  
Only push no pull  
Hall sensor  
Safety nut

### Approval

- 1.ANSI/AAMI ES60601-1:2005/(R)2012 and A1:2012, C1:2009/(R)2012 and A2:2010/(R)2012
- 2.EN 60601-1:2006+A12:2014
- 3.IEC60601-1:2012



# JC35L10

LINEAR ACTUATOR

### Feature

- Max. load push(N): 4000
- Dynamic load pull(N): 3500
- Max. speed(mm/s): 8
- Installation dimensions:  
L=235(30≤S<50)  
L=S+185(50≤S≤400)
- IP grade: IP54
- Option:  
Quick release (standard)  
Only push no pull  
Hall sensor  
Safety nut

### Approval

- 1.ANSI/AAMI ES60601-1:2005/(R)2012 and A1:2012, C1:2009/(R)2012 and A2:2010/(R)2012
- 2.EN 60601-1:2006+A12:2014
- 3.IEC60601-1:2012



# JC35L18

LINEAR ACTUATOR

### Feature

- Max. load push(N): 8000
- Max. speed(mm/s): 18
- Installation dimensions:  
Standard:  
L=225(S≤50)  
L=S+175(50<S≤400)  
L=S+195(400<S≤500)  
Fast version:  
L=225(S≤50)  
L=S+175(50<S≤200)  
L=S+185(200<S≤300)
- IP grade: Max . IPX6W
- Option:  
Only push no pull  
Hall sensor  
Safety nut

### Approval

- 1.ANSI/AAMI ES60601-1:2005/(R)2012 and A1:2012, C1:2009/(R)2012 and A2:2010/(R)2012
- 2.EN 60601-1:2006+A12:2014
- 3.IEC60601-1:2012



# JC35L29

LINEAR ACTUATOR

### Feature

- Max. load push(N): 8000
- Dynamic load pull(N): 4000
- Max. speed(mm/s): 3.5
- Installation dimensions:  
L=S+175(50<S≤200)  
L=S+185(200<S≤250)
- IP grade: Max. IPX6
- Option:  
Hall sensor  
Reed switch  
Safety nut

### Approval

- 1.ANSI/AAMI ES60601-1:2005/(R)2012 and A1:2012, C1:2009/(R)2012 and A2:2010/(R)2012
- 2.EN 60601-1:2006+A12:2014
- 3.IEC60601-1:2012





# JC35D4

LINEAR ACTUATOR

### Feature

- Max. load push(N): 6000
- Max. load pull(N): 4000
- Max. speed(mm/s): 7
- Installation dimensions:  
L=225(S≤50) L=S+175(50<S≤200)  
L=S+185(200<S≤300)
- IP grade:IP54
- Option:  
Only push no pull  
Hall sensor  
Safety nut

### Approval

- 1.ANSI/AAMI ES60601-1:2005/(R)2012 and A1:2012, C1:2009/(R)2012 and A2:2010/(R)2012
- 2.EN 60601-1:2006+A12:2014
- 3.IEC60601-1:2012



# JC35L3

LINEAR ACTUATOR

### Feature

- Max. load push(N): 6000
- Max. load pull(N): 4000
- Max. speed(mm/s): 9.6
- Installation dimensions:  
L=225(L≤50)  
L=S+175(S≤200)  
L=S+185(200<S≤400)
- IP grade: Max. IPX6
- Option:  
Only push no pull  
Hall sensor  
Safety nut

### Approval

- 1.ANSI/AAMI ES60601-1:2005/(R)2012 and A1:2012, C1:2009/(R)2012 and A2:2010/(R)2012
- 2.EN 60601-1:2006+A12:2014
- 3.IEC60601-1:2012



# JC35DN

LINEAR ACTUATOR

### Feature

- Max. load push(N): 6000
- Max. load pull(N): 4000
- Max. speed(mm/s): 36
- Installation dimensions:  
L=225(S≤50)  
L=S+175(50<S<400)  
L=S+195(400≤S<600)
- IP grade: Max. IP66
- Option:  
Only push no pull  
Hall sensor  
Reed switch

### Approval

- 1.ANSI/AAMI ES60601-1:2005/(R)2012 and A1:2012, C1:2009/(R)2012 and A2:2010/(R)2012
- 2.EN 60601-1:2006+A12:2014
- 3.IEC60601-1:2012



# JC35L9

LINEAR ACTUATOR

### Feature

- Max. load push(N): 6000
- Max. load pull(N): 4000
- Installation dimensions:  
L=225(S≤50)  
L=S+175(50<S≤200)  
L=S+185(200<S≤300)  
L=S+195(300<S≤400)  
L=S+205(400<S≤500)
- IP grade: Max. IPX6
- Option:  
Only push no pull  
Hall sensor  
Reed switch  
Safety nut

### Approval

- 1.ANSI/AAMI ES60601-1:2005/(R)2012 and A1:2012, C1:2009/(R)2012 and A2:2010/(R)2012
- 2.EN 60601-1:2006+A12:2014
- 3.IEC60601-1:2012



# JC35L22

LINEAR ACTUATOR

### Feature

- Max. load push(N): 6000
- Max. load pull(N): 4000
- Max. speed(mm/s): 6.3
- Installation dimensions:  
Standard:  
6000N/4000N:  
L=225 (25≤S<50)  
L=S+175 (50≤S<200)  
2500N(Long stroke, only used in heli-helical applications):  
L=225 (25≤S<50)  
L=S+175 (50≤S<200)  
L=S+185(200≤S≤415)  
Hand crank:  
6000N/4000N:  
L=S+175 (50≤S≤200)
- IP grade: Max. IP66 (Hand crank: IP20)
- Option:  
Only push no pull  
Hand crank function

### Approval

- 1.ANSI/AAMI ES60601-1:2005/(R)2012 and A1:2012, C1:2009/(R)2012 and A2:2010/(R)2012
- 2.EN 60601-1:2006+A12:2014
- 3.IEC60601-1:2012



# JC35L30

LINEAR ACTUATOR

### Feature

- Max. load push(N): 6000N
- Max. load pull(N): 4000N
- Max. speed(mm/s): 6.5
- Installation dimensions:  
L=S+175(50<S≤200)  
L=S+185(200<S≤400)
- IP grade: Max. IPX6
- Option:  
Only push no pull  
Hall sensor  
Safety nut

### Approval

- 1.ANSI/AAMI ES60601-1:2005/(R)2012 and A1:2012, C1:2009/(R)2012 and A2:2010/(R)2012
- 2.EN 60601-1:2006+A12:2014
- 3.IEC60601-1:2012



# JC35W2-2

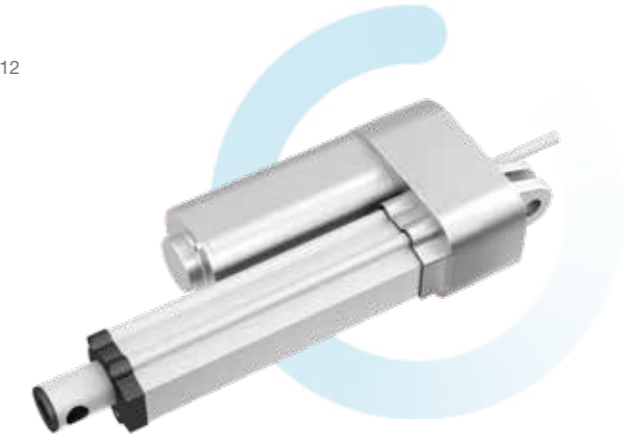
LINEAR ACTUATOR

### Feature

- Max. load push(N): 3000
- Max. load pull(N): 2000
- Max. speed(mm/s):16
- Installation dimensions:  
L=170(20≤S<50)  
L=S+120(50≤S<400)
- IP grade: Max. IPX6
- Option:  
Hall sensor

### Approval

- 1.ANSI/AAMI ES60601-1:2005/(R)2012 and A1:2012, C1:2009/(R)2012 and A2:2010/(R)2012
- 2.EN 60335-1:2012+A11:2014+A13:2017+A1:2019+A14:2019+A2:2019



# JC35N8

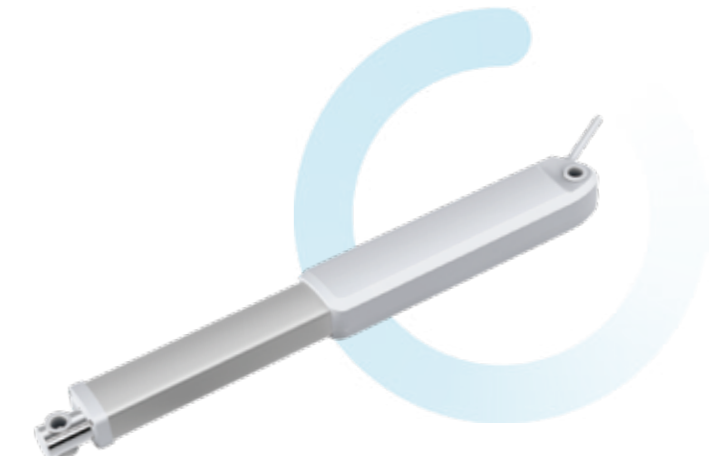
LINEAR ACTUATOR

### Feature

- Max. load push(N): 2500
- Dynamic load pull(N): 900
- Max. speed(mm/s): 9.6
- Installation dimensions:  
L=S+170(50≤S≤200,standard)  
L=S+190(200<S≤300,standard,50≤S≤200,Only push no pull)  
L=S+210(200<S≤300,Only push no pull)
- IP grade: Max. IPX6
- Option:  
Only push no pull  
Hall sensor  
Safety nut

### Approval

- 1.CE



# JC35N6

## LINEAR ACTUATOR

### Feature

- Max. load push(N): 1200
- Max. load pull(N): 1200
- Max. speed(mm/s): 7.4
- Installation dimensions:  
L=S+155(S≤300,Without hall)  
L=S+170(S≤300,Hall sensor)
- IP grade: Max. IPX6
- Option:  
Hall sensor



# JC35EA-3C

## LIFTING COLUMN

### Feature

- Max. load in push &self-locking(N): 2000
- Max. static bending moment(Nm): 500
- Max. dynamic bending moment(Nm): 250
- Max. speed(mm/s): 16
- Installation dimensions: L=S/2+150
- IP grade: Max. IPX6
- Option:  
With hall sensor(Apply for synchronize or memory function)

### Approval

1.CE,CB,UL



# JC35EG

## LIFTING COLUMN

### Feature

- Max. static bending moment(Nm): 400
- Max. dynamic bending moment(Nm): 200
- Max. speed: 10
- Installation dimensions: L=S/2+200
- IP grade: IPX4
- Option:  
With hall sensor(Apply for synchronize or memory function)  
With aluminium holder for mounting

### Approval

1.EN 60601-1:2006+A12:2014  
2.IEC60601-1:2012



# JC35EM2

## LIFTING COLUMN

### Feature

- Max. load in push &self-locking(N): 6000
- Max. static bending moment(Nm): 1000
- Max. dynamic bending moment(Nm): 500
- Max. speed(mm/s): 25
- Installation dimensions:  
L=S+200(S<400)  
L=S+220(S≥400)
- IP grade: IPX4
- Option:  
With hall sensor(Apply for synchronize or memory function)

### Approval

1.EN 60601-1:2006+A12:2014





# JC35EM3

LIFTING COLUMN

**Feature**

- Max. load in push & self-locking(N): 2000
- Max. static bending moment(Nm): 900
- Max. dynamic bending moment(Nm): 500
- Max. speed(mm/s): 10
- Installation dimensions:  
L=S/2+150(S≤400)  
L=S/2+200(S>400)
- IP grade: IPX4
- Option:  
With hall sensor(Apply for synchronize or memory function)

**Approval**

1.EN 60601-1:2006+A12:2014



# JC35EN-3A

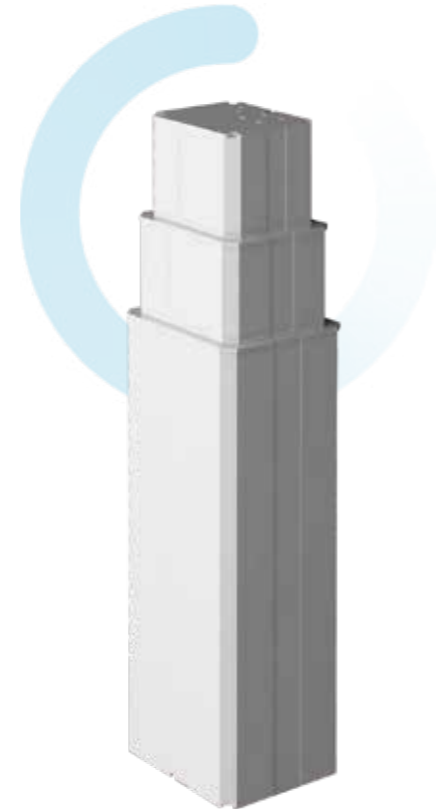
LIFTING COLUMN

**Feature**

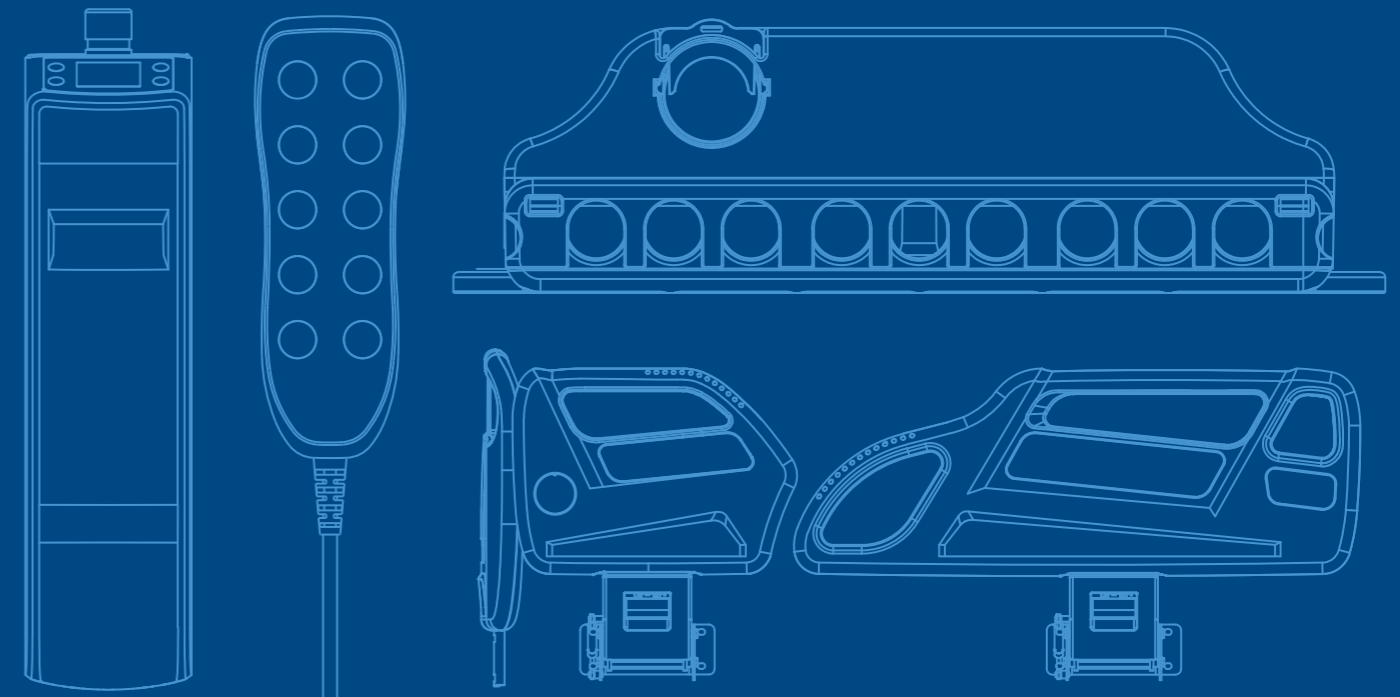
- Max. load in push & self-locking(N): 6000
- Max. static bending moment(Nm): 2000
- Max. dynamic bending moment(Nm): 1750
- Max. speed(mm/s): 11.5
- Installation dimensions:  
Lmin= S/2+150 (2000N)  
Lmin= S/2+200 (4000N)  
Lmin= S/2+250 (6000N)
- IP grade: IPX4
- Option:  
With hall sensor(Apply for multi-column synchronous lifting)

**Approval**

1.ANSI/AAMI ES60601-1:2005/(R)2012  
and A1:2012, C1:2009/(R)2012  
and A2:2010/(R)2012  
2.EN 60601-1:2006+A12:2014



**SAFE AND RELIABLE**  
**PROFESSIONAL CUSTOMIZATION**  
**SATISFIES**  
**CUSTOMERS' NEEDS**



# CONTROL BOX



**JCB35K2-A**

- Outputs for actuator:1-2
- Operating elements:1
- Microprocessor controlled
- Output voltage(VDC):25.9
- Rated capacity(AH):2.2/4.4
- Type of battery:Li-ion
- With LCD display
- IP grade:IPX4

**JCB35K2-B**

- Outputs for actuator:1-2
- Operating elements:1
- Microprocessor controlled
- Output voltage(VDC):25.9
- Rated capacity(AH):2.2/4.4
- Type of battery:Li-ion
- IP grade:IPX4

**JCB35K3**

- Outputs for actuator:1-3
- Operating elements:1
- Microprocessor controlled
- Output voltage(VDC):25.9
- Rated capacity(AH):3.2/5.2
- Type of battery:Li-ion
- With 2.0 inches TFT color screen
- IP grade:Max.IPX6



**JCB35Q**

- Outputs for actuator:1-4
- Operating elements:1
- Microprocessor controlled
- Max output voltage(VDC):29
- Power supply:SMPS
- IP grade:Max.IPX6

**JCB35Q3**

- Outputs for actuator:1-3
- Relay controlled
- IP grade:IPX4

**JCB35T**

- Outputs for actuator:1-4
- Operating elements:1
- Microprocessor controlled
- Max output voltage(VDC):29
- Power supply:SMPS
- Connect separated battery
- IP grade:Max.IPX6



**JCB35T2**

- Outputs for actuator:1-4
- Operating elements:1
- Microprocessor controlled
- Max output voltage(VDC):36
- Power supply:SMPS
- Connect separated battery
- IP grade:Max.IPX6

**JCB35T3**

- Outputs for actuator:1-4
- Operating elements:1
- Microprocessor controlled
- Max output voltage(VDC):36
- Built-in dry battery:emergency drop function
- Connected to adaptor
- IP grade:Max.IPX6

**JCB35T6**

- Outputs for actuator:1-5
- Operating elements:1
- Microprocessor controlled
- Power supply:SMPS
- IP grade:Max.IPX6

# CONTROL BOX



**JCB35R**

- Outputs for actuator:1-6
- Operating elements:1
- Microprocessor controlled
- Max output voltage(VDC):29
- Power supply:SMPS
- Connect separated battery
- IP grade:Max.IPX6

**JCB35R1**

- Outputs for actuator:1-6
- Operating elements:1
- Microprocessor controlled
- Connected to adaptor
- IP grade:Max.IPX6

# USER CONTROL



**JCHN35H1**

- Intuitive control up to 2 physical buttons
- 10.1 inches IPS capacitive screen
- Display related data and bed status
- IP grade:IPX4

**JCHN35H2**

- Intuitive control up to 2 physical buttons
- With electronic lock
- 7 inches IPS capacitive screen
- Display related data and bed status
- IP grade:Max.IPX6

**JCHN35H3**

- Embedded nurse control
- 7 inch touch capacitive screen
- Display related data and bed status
- IP grade:IPX4

# USER CONTROL



**JCHN35E1**

- Intuitive control up to 26 buttons
- IP grade:Max.IPX6

**JCHN35H**

- Intuitive control up to 30 buttons
- With 3.5 inches TFT color screen
- Date display
- IP grade:IPX4

**JCH35A6**

- Max available buttons:12
- With touch sensitive function
- Electronic lock function optional
- Background light
- IP grade:Max.IPX6



**JCH35A9**

- Max available buttons:10
- With 2.0 inches TFT color screen
- With electronic lock
- IP grade:IPX4

**JCH35A10**

- Max available buttons:6
- Connect with JCB35K3
- IP grade:Max.IPX6

**JCH35A11**

- Max available buttons:6
- Magnetic fixing method
- Connect with JCB35K3
- IP grade:Max.IPX6



**JCH35A12**

- Max available buttons:10
- With 2.0 inches TFT color screen
- Cable replaceable
- IP grade:Max.IPX6

**JCH35A15**

- Max available buttons:10
- Background light
- With mechanical lock
- IP grade:Max.IPX6

**JCH35A16**

- Max available buttons:10
- Background light
- IP grade:Max.IPX6

# USER CONTROL



**JCH35A18**

- Max available buttons:10
- Cable replaceable
- IP grade:Max.IPX6

**JCH35A19**

- Max available buttons:8
- IP grade:IPX4

**JCHR35G**

- Max available buttons:10
- Bluetooth
- IP grade:IPX4



**JCH35A8**

- Max available buttons:29
- IP grade:IPX4

**JCF35V**

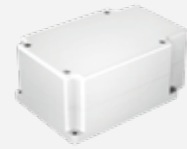
- Max number of splicing:3
- 2.4G Wireless
- IP grade:Max.IPX6

**JCF35**

- Max number of splicing:5
- IP grade:IPX4



# ACCESSORIES



**JCP35PA-B-1**

- Battery box
- Rated capacity(AH):1.3
- Type of battery:Lead-Acid
- IP grade:IPX4



**JCP35PA-B-2**

- Battery box
- Rated capacity(AH):2.6
- Type of battery: Li-ion
- IP grade: Max. IPX6



**JCP35H09**

- With electrical controller
- IP grade:IPX4



**JCP35Q1**

- Safety switch
- Ring-pulling emergency stop switch
- Cut off AC power
- IP grade:Max.IPX6



**JCP35C3**

- Connection box
- Can-bus
- IP grade:Max.IPX6



**JCP35C5**

- Connection box
- Can-bus
- IP grade:Max.IPX6



**JCP35PA-Q1**

- Medical power adapter
- Output voltage(VDC):29
- Standby power consumption(W):<0.15
- Rated power:29V/3A
- IP grade:Max.IPX6



**JCP35PA-03**

- Medical power adapter
- Output voltage(VDC):36
- Standby power consumption(W):<0.5
- Rated power: 36V/2A
- Plug replaceable
- IP grade:Max.IPX6



**JCP35E1-LED**

- Night light mounted under the bed
- IP grade:Max.IPX6