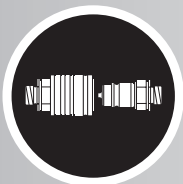


Quick Release Couplings



Quick Release Couplings
Series UX

Maximum Volumetric Flow

Description

The coupling series UX exceeds the requirements of ISO 7241-1 series A and ISO 5675 for the agricultural sector and is uncompromisingly designed for maximum efficiency.

The newly developed single-hand coupling sleeve can be engaged in the coupling connector under full operating pressure. Further advantages include the breakaway function and the lower coupling and uncoupling force.

For short term application the System UX achieves by the flow direction from HP10 male to UX female a maximum volumetric flow of 240 l/min / 63.4 US GPM - record level. Operation in heavy-duty tractors and implements such as tipper, is now safe.

Working Pressure

250 bar / 25 MPa / 3625 PSI

The indicated pressure ratings only apply to the coupling itself and depend on the connection type.

Working Temperature

-30° C ... +100° C / -22° F ... +212° F

Material

Steel

Surface Finishing

Zinc-Plating and Thick-Film-Passivation (Chrome III)

Standard Seal Material(s)

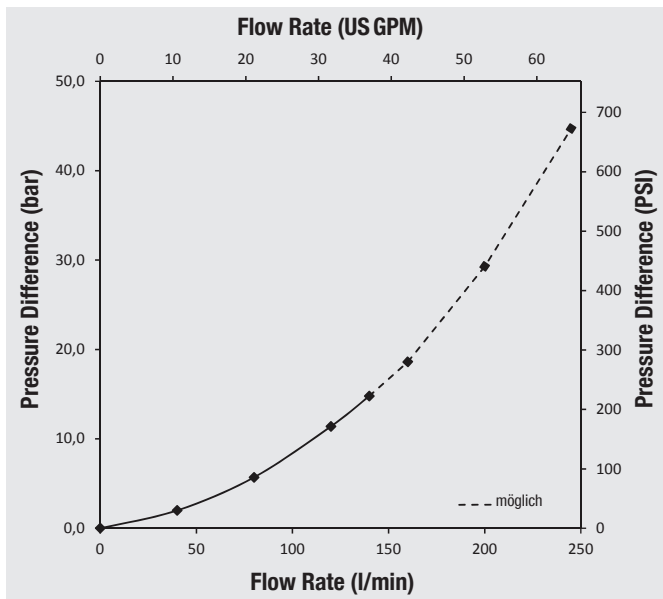
NBR (Buna-N®), PTFE



The series UX coupling sleeve is available in two different overall lengths and is therefore compatible with the common commercially available built-in couplings.

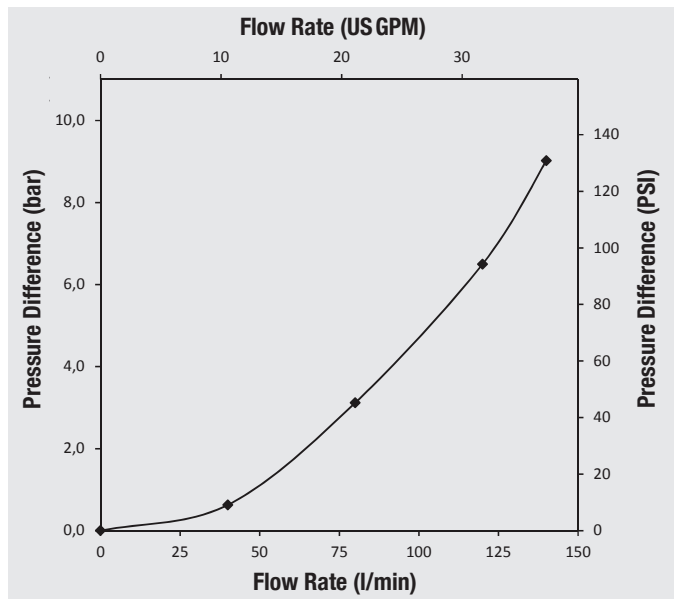
Flow Direction

Male Tip HP 10 > Female Body UX 10

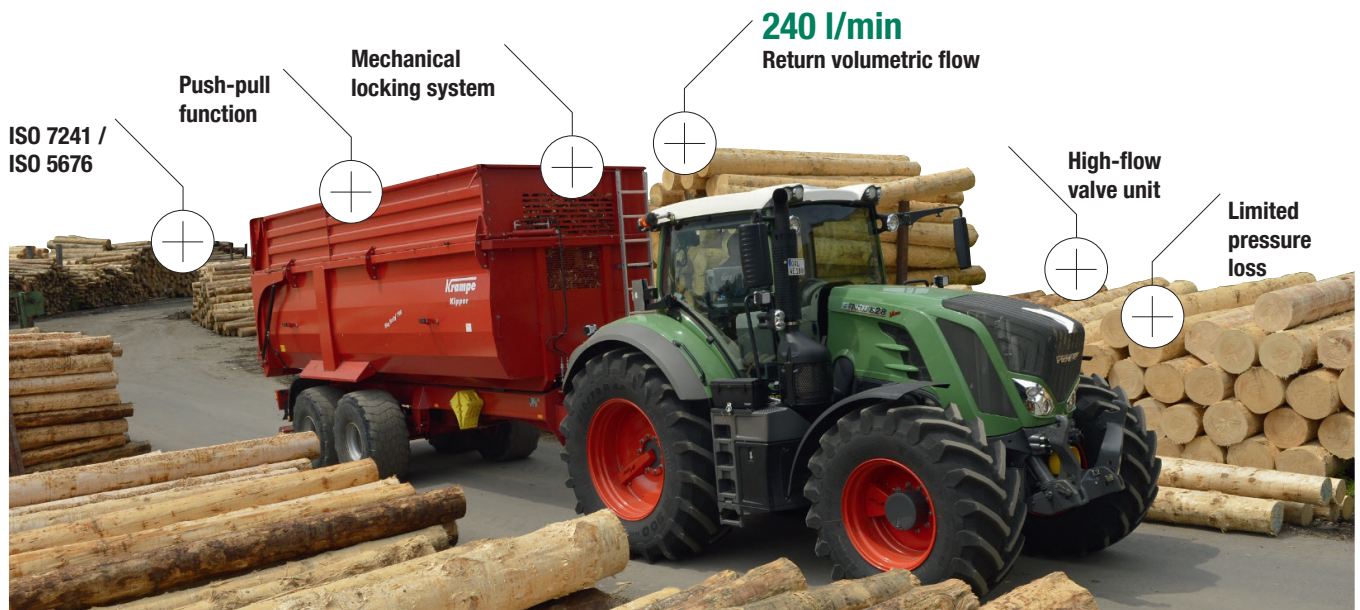


Direction of Flow

Female Body UX 10 > Male Tip HP 10



Please note: Unless otherwise stated, all flow characteristics have been determined with hydraulic oil with a kinematic viscosity of 36 mm²/s (36 cSt) and are only valid for components with non-reducing connections.



Series UX 10 ▪ BG 3 ▪ Nominal Size 12,5 ▪ Short Version

Working Pressure

250 bar / 25 MPa / 3626 PSI

Burst Pressure

1000 bar / 100 MPa / 14500 PSI (Female Body)

1000 bar / 100 MPa / 14500 PSI (Male Tip)

1000 bar / 100 MPa / 14500 PSI (Connected)

The indicated pressure ratings only apply to the coupling itself and depend on the connection type.

Material

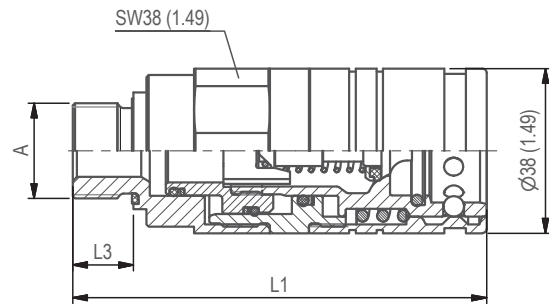
Steel

Surface Finishing

Zinc-Plating and Thick-Film-Passivation (Chrome III)

Standard Seal Material(s)

NBR (Buna-N®), PTFE, PU



Dimensions acc. to ISO 7241-1, series A, size 12,5.

SW: Width across flats. All dimensions in mm (inch).

	Port A	Dimensions (mm/in)				Female Body		Weight (^g /oz) ca. per pc.
		ØD2	L1	L2	L3	L4	VOSWINKEL Part Numbers	
Male Thread according to EN ISO 9974-2, DIN 3852 T11 Shape E								
	M22x1,5		95,5		14		UX10-1-AME22S	495
			3.76		.55		QRC-UXS-12-F-M22MWD-S1-W66-SM	1089
Male Thread according to ISO 6149, DIN 3852 T3, Shape C								
	M22x1,5		94		13		UX10-1-AMF22S	492
			3.70		.51		QRC-UXS-12-F-M22MOR-S1-W66-SM	1082
Male Thread with 24° Conical Bore - Bulkhead - Shape W according to DIN 3861								
	M18x1,5	12L	112,5		30		UX10-1-N1218S	502
			4.43		1.18		QRC-UXS-12-F-12LB-S1-W66	1104
	M22x1,5	15L	109,5		27		UX10-1-N1522S	513
			4.31		1.06		QRC-UXS-12-F-15LB-S1-W66	1129
	M26x1,5	18L	109,5		27		UX10-1-N1826S	527
			4.31		1.06		QRC-UXS-12-F-18LB-S1-W66	1159



Series UX 10 ▪ BG 3 ▪ Nominal Size 12,5 ▪ Long Version

Working Pressure

250 bar / 25 MPa / 3626 PSI

Burst Pressure

1000 bar / 100 MPa / 14500 PSI (Female Body)

1000 bar / 100 MPa / 14500 PSI (Male Tip)

1000 bar / 100 MPa / 14500 PSI (Connected)

The indicated pressure ratings only apply to the coupling itself and depend on the connection type.

Material

Steel

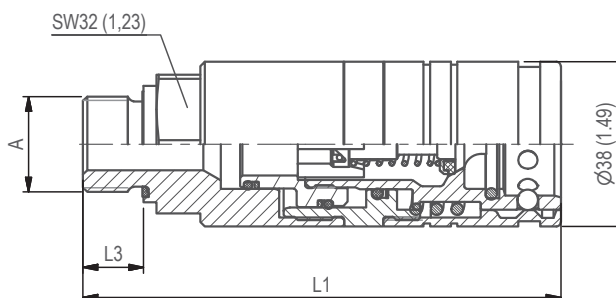
Surface Finishing

Zinc-Plating and Thick-Film-Passivation (Chrome III)

Standard Seal Material(s)

NBR (Buna-N®), PTFE, PU

Dimensions acc. to ISO 7241-1, series A, size 12,5.



SW: Width across flats. All dimensions in mm (inch).

Port A	Dimensions (^{mm} / _{in})					Female Body	Weight (^g / _{oz}) ca. per pc.
	ØD2	L1	L2	L3	L4	VOSWINKEL Part Numbers STAUFF Ordering Codes	
Male Thread according to EN ISO 9974-2, DIN 3852 T11 Form E							
	M22x1,5		110,3		14	UX10-1-AME22L	596
			4.34		.55	QRC-UXL-12-F-M22MWD-S1-W66-SM	1311.20
Male Thread according to ISO 6149, DIN 3852 T3, Form C							
	M18x1,5		110,8		14	UX10-1-AMF18L	619
			4.36		.55	QRC-UXL-12-F-M18MOR-S1-W66-SM	1361.80
	M22 x 1,5		110,8		14	UX10-1-AMF22L	596
			4.36		.55	QRC-UXL-12-F-M22MOR-S1-W66-SM	1311.20
Male Thread with 24° Conical Bore - Bulkhead - Shape W according to DIN 3861							
	M18x1,5	12L	121,5		26	UX10-1-N1218L	602
			4.78		1.02	QRC-UXL-12-F-12LB-S1-W66	1324.40
	M22 x 1,5	15L	123,5		26	UX10-1-N1522L	629
			4.86		1.02	QRC-UXL-12-F-15LB-S1-W66	1383.80
Female Thread according to ISO 1179 - ANSI B 1.20.3 - SAE J1926-1							
	G1/2"		107,3		15	UX10-1-IGF08L	604
			4.22		.59	QRC-UXL-12-F-G08-S1-W66	1328.80
	NPTF 1/2"-14		107,3			UX10-1-INF08L	608
			4.22			QRC-UXL-12-F-NF08-S1-W66	1337.60
	UNF 3/4"-16		107,3		14	UX10-1-UNF08L	609
		4.22		.55	QRC-UXL-12-F-U08-S1-W66	1339.80	
Banjo screw for banjos according to DIN 7643							
M22x1,5	18		134,8		39	UX10-1-X0001L	612
			5.31		1.54	QRC-UXL-12-F-BS22-S1-W66	1346.40



Series HP 10 • BG 3 • Nominal Size 12,5

Working Pressure

250 bar / 25 MPa / 3626 PSI

The indicated pressure ratings only apply to the coupling itself and depend on the connection type.

Material

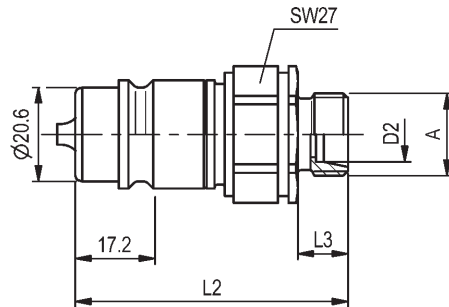
Steel

Surface Finishing

Zinc-Nickel

Standard Seal Material(s)

NBR (Buna-N®)



Description

Unique: The HP Male Tip in conjunction with the UX single-hand coupling sleeve achieves 240 l/min.

Dimensions acc. to ISO 7241-1, series A, size 12,5 and ISO 5675.

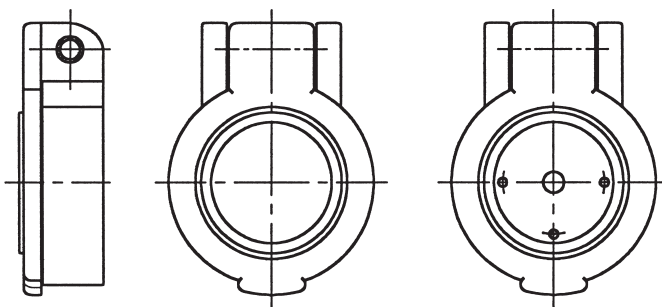
SW: Width across flats. All dimensions in mm (inch).

Port A	Dimensions (mm/in)				Male Tip		Weight (% ca.) per pc.
	ØD2	L2	L3	L4	VOSWINKEL Part Numbers	STAUFF Ordering Codes	
Female Thread according to DIN 3852-2-A - ISO 6149-1 - ISO 9974-1 - ANSI B 1.20.3 - SAE J1926-1							
	G3/8"	68		15		HP10-2-IGF06N	153
		2.68		.59		QRC-HP-12-M-G06-B-W3	336.60
	G1/2"	70		17		HP10-2-IGF08N	92
		2.76		.67		QRC-HP-12-M-G08-B-W3	202.40
Male Thread with 24° Conical Bore - Bulkhead - Shape W according to DIN 3861							
	M18x1,5	12L	79	30		HP10-2-N1218N	143
		3.10	1.18			QRC-HP-12-M-12LB-B-W3	314.60
	M22 x 1,5	15L	76	27		HP10-2-N1522N	159
		2.98	1.06			QRC-HP-12-M-15LB-B-W3	349.80
	M26x1,5	18L	76	27		HP10-2-N1826N	193
		2.98	1.06			QRC-HP-12-M-18LB-B-W3	424.60

Dust cover clips

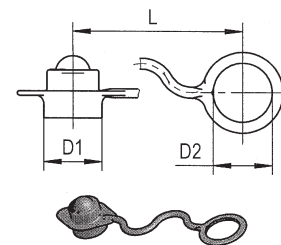
Description

This dust guard can be fitted to the female body sleeve after installation. The cap can be provided with an optional drill hole for a marking clip. Size HP10 / UX 10 is available in blue, yellow, red, green and black.



Dust cover clips for female body	Without bore	With bore
	VOSWINKEL Part Numbers	VOSWINKEL Part Numbers
STAUFF Ordering Codes	STAUFF Ordering Codes	
HP10 / UX10	SZ10-6-SW001A1	SZ10-6-SW002C1
	QRC-SZ-SF-38-K-BK	QRC-SZ-SF-38/L-K-BK

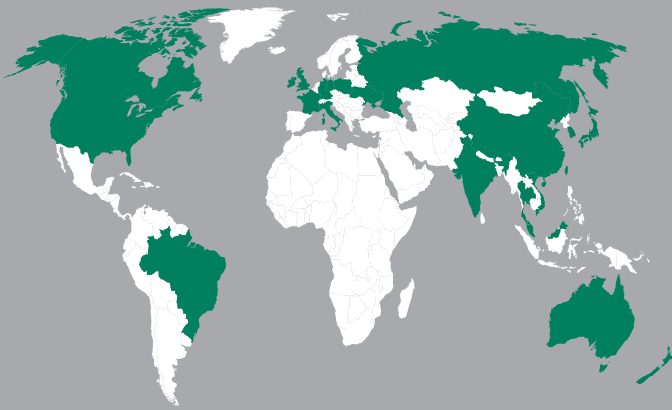
Dust Protection



Dimensions (mm/in)			Material	Dust Cap for Male Tip	
D1	D2	L		VOSWINKEL Part Numbers	STAUFF Ordering Codes
28	27	134	Plastic (Colour: Red)	HP10-0-RT004	
1.10	1.06	5.28		QRC-HP-12-DM-27-K/1-RD	

In addition to the standard colours as stated above, plastic dust caps are also available in blue, green, yellow and black. Please use the VOSWINKEL codes BL, GN, GE and SW respectively instead of RT. Please use the STAUFF codes BU, GN, YE and BK respectively instead of RD.



**GERMANY**

Walter Stauffenberg GmbH & Co. KG
Im Ehrenfeld 4
58791 Werdohl
Tel.: +49 2392 91 60
Fax: +49 2392 91 61 60
E-Mail: sales@stauff.com

STAUFF products and services are globally available through wholly-owned subsidiaries and a tight network of authorised distributors and representatives in all major industrial regions of the world.

You can find detailed contact information at
www.stauff.com

AUSTRALIA

STAUFF Corporation Pty Ltd
Tel.: +61 2 4271 9000
sales@stauff.com.au

BRAZIL

STAUFF Brasil Ltda.
Tel.: +55 11 47 72 72 00
stauff@stauffbrasil.com

CHINA

STAUFF China
Tel.: +86 21 68 18 70 00
info@stauff.com.cn

FRANCE

STAUFF S.A.S.
Tel.: +33 2 54 50 55 50
direction@stauffsa.com

INDIA

STAUFF India Pvt. Ltd.
Tel.: +91 20 67 31 4900
sales@stauffindia.com

IRELAND

STAUFF Ireland
Tel.: +44 28 92 60 69 00
sales@stauffireland.com

ITALY

STAUFF Italia S.r.l.
Tel.: +39 031 65 84 94
sales@stauff.it

CANADA

STAUFF Canada Ltd.
Tel.: +1 416 282 46 08
sales@stauffcanada.com

KOREA

STAUFF Korea Ltd.
Tel.: +82 51 266 66 66
info@stauff.co.kr

MALAYSIA

STAUFF South East Asia Sdn Bhd
Tel.: +60 3 5637 7888
sales@stauff.com.my

NEW ZEALAND

STAUFF Corporation (NZ) Ltd.
Tel.: +64 9 271 48 12
sales@stauff.co.nz

POLAND

STAUFF Polska Sp. z o.o.
Tel.: +48 58 660 11 60
sales@stauff.pl

RUSSIAN FEDERATION

STAUFF LLC
Tel.: +7 495 276 16 50
sales@stauff.ru

THAILAND

STAUFF (Thailand) Co., Ltd.
Tel.: +66 2 721 73 23
sales@stauff.co.th

UNITED STATES

STAUFF Corporation
Tel.: +1 201 444 78 00
sales@stauffusa.com

UNITED KINGDOM

STAUFF UK Ltd.
Tel.: +44 114 251 85 18
sales@stauff.co.uk

VIETNAM

STAUFF Vietnam Ltd.
Tel.: +84 8 3948 1041
sales@stauff.com.vn