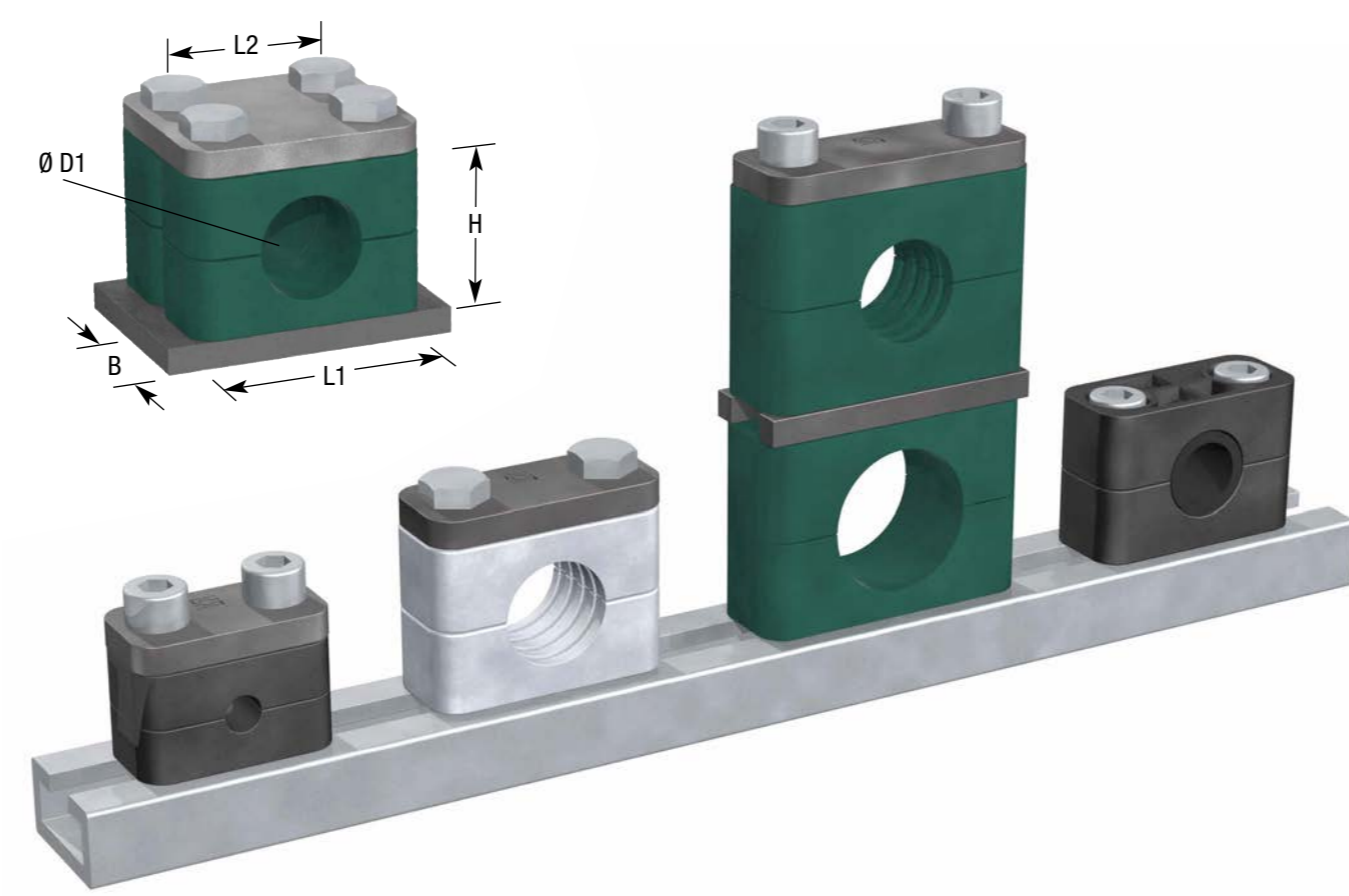


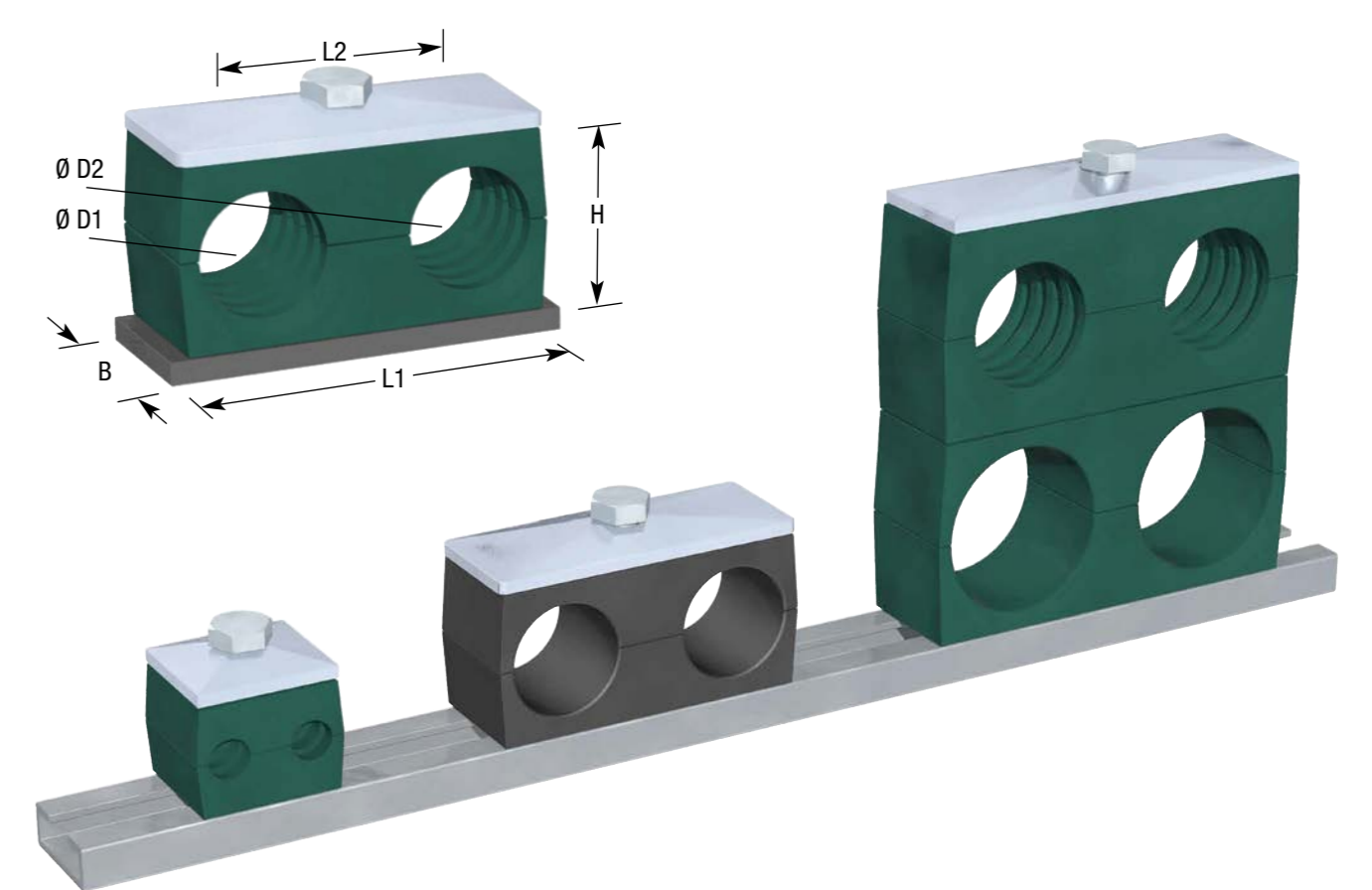
Standard Series

according to DIN 3015, Part 1



Heavy Series

according to DIN 3015, Part 2



Twin Series

according to DIN 3015, Part 3

Groups, Sizes and Diameters								
STAUFF Group	DIN Group	Ø D1 [mm]	Ø D1 [inch]	Nominal Bore Pipe [inch]	H max	L1	L2	B
1	0	6 - 12	1/4" - 3/8"	1/8"	27	28	-	30
1A	1	6 - 12	1/4" - 3/8"	1/8"	27	37	20	
2	2	12,7 - 18	1/2" - 5/8"	1/4" - 3/8"	33	42	26	
3	3	19 - 25,4	3/4" - 1"	1/2"	36	50	33	
4	4	26,9 - 30	-	3/4"	42	59	40	
5	5	32 - 42	1-1/4" - 1-1/2"	1" - 1-1/4"	58	71	52	
6	6	44,5 - 50,8	1-3/4" - 2"	1-1/2"	66	86	66	
7	7	57,2 - 76,1	2-1/4" - 3"	2 - 2-1/2"	93	121	94	
8	8	88,9 - 102	4"	3 - 3-1/2"	118	147	120	

Groups, Sizes and Diameters									
STAUFF Group	DIN Group	Ø D1 [mm]	Ø D1 [inch]	Nominal Bore Pipe [inch]	H max	L1 max	L1 max (AL)	L2	
3S	1	6 - 18	1/4" - 5/8"	1/8" - 3/8"	32	55	56	33	30,5
4S	2	19 - 30	3/4" - 1"	1/2" - 3/4"	48	70	70	45	30,5
5S	3	30 - 42	1-1/4" - 1-1/2"	1" - 1-1/4"	60	85	85	60	30,5
6S	4	38 - 70	1-1/2" - 2-3/4"	1-1/4" - 2"	89	115	120	90	45
7S	5	65 - 88,9	2-3/4" - 3-1/2"	2-1/2" - 3"	120	154	152	122	60
8S	6	88,9 - 133	3-1/2" - 5-1/4"	3" - 4"	168	206	208	168	80
9S	7	133 - 168	5" - 6"	5" - 6"	200	251	255	205	91
10S	8	168 - 219	8"	6" - 8"	270	336	326	265	120
11S	9	219 - 324	-	8" - 12"	410	470	470	395	162
12S	10	356 - 406	-	14" - 16"	530	630	630	534	182

Groups, Sizes and Diameters								
STAUFF Group	DIN Group	Ø D1 / D2 [mm]	Ø D1 / D2 [inch]	Nominal Bore Pipe [inch]	H max	L1 max	L2	B
1D	1	6 - 12	1/4" - 3/8"	1/8"	27	36	20	30
2D	2	12,7 - 18	1/2" - 5/8"	1/4" - 3/8"	27	53	29	
3D	3	19 - 25,4	3/4" - 1"	1/2"	37	67	36	
4D	4	26,9 - 30	-	3/4"	40	80	45	
5D	5	32 - 42	1-1/2"	1 - 1-1/4"	53	106	56	

Materials and Designs of Clamp Bodies		
Standard-Version: Profiled Inside with Tension Clearance	H-Version: Smooth Inside without Tension Clearance	RI-Version with Elastomer Insert (only for STAUFF Groups 4 and 6)
PP PA SA AL*	PP-H PA-H SA-H	PP-R PA-R

PP = Polypropylene PA = Polyamide SA = Santoprene AL = Aluminium *Special materials and designs are available on request
*Type AL only for STAUFF Groups 1A to 6

Materials and Designs of Clamp Bodies		
Standard-Version: Profiled Inside with Tension Clearance	H-Version: Smooth Inside without Tension Clearance	RI-Version with Elastomer Insert (only for STAUFF Groups 4S to 6S)
PP PA SA* AL	PP-H* PA-H* SA-H*	PP-R PA-R

PP = Polypropylene PA = Polyamide SA = Santoprene AL = Aluminium *Special materials and designs are available on request
*Types SA, PP-H, PA-H and SA-H only for STAUFF Groups 3S to 6S

Materials and Designs of Clamp Bodies	
Standard-Version: Profiled Inside with Tension Clearance	H-Version: Smooth Inside without Tension Clearance
PP PA	PP-H PA-H

PP = Polypropylene PA = Polyamide *Special materials and designs are available on request

Types of Mounting	
Single Weld Plate	SP
STAUFF Group: 1, 1A, 2, 3, 4, 5, 6, 7, 8 Length L: 31,5 36 42 50 60 71 88 122 148	Thickness = 3, from STAUFF Group 7 on = 5

Types of Installation	
Cover Plate	DP
STAUFF Group: 1, 1A, 2, 3, 4, 5, 6, 7, 8 Bolt M6 x 30 30 35 40 45 60 70 100 125	Hexagon Head Bolt AS Socket Cap Screw IS

Types of Mounting	
Elongated Weld Plate	SPV
STAUFF Group: 1, 1A, 2, 3, 4, 5, 6, 7, 8 Length L1: 58 64 70 78 87 100 115 150 178 Length L2: 44 50 56 64 73 86 100 136 162	Thickness = 3, from STAUFF Group 7 on = 5

Types of Installation	
Cover Plate	DP
STAUFF Group: 1, 1A, 2, 3, 4, 5, 6, 7, 8 Bolt M6 x 30 30 35 40 45 60 70 100 125	Hexagon Head Bolt AS Socket Head Screw LI (LI only for STAUFF Groups 1A to 6)

Types of Mounting	
Twin Weld Plate	DSP
STAUFF Group: 1, 1A, 2, 3, 4, 5, 6 Length L: 87 77 86 102 120 145 178 Pipe Center Spacing A: 40 37 44 52 60 75 90	Thickness = 4

Types of Installation	
Cover Plate	DP
STAUFF Group: 1, 1A, 2, 3, 4, 5, 6 Bolt M6 x 27 27 32 35 42 57 65	Hexagon Head Bolt AS Socket Head Screw LI (LI only for STAUFF Groups 1A to 6)

Types of Mounting	
Group Weld Plate	RAP
STAUFF Group: 1, 1A, 2, 3, 4, 5, 6 Length L: 314 373 442 521 300 378 450 Number of Clamps: 10 10 10 10 5 5 5 Pipe Center Spacing A: 31 37 44 52 60 75 90	Thickness = 4

Types of Installation	
Cover Plate	DP
STAUFF Group: 1, 1A, 2, 3, 4, 5, 6, 7, 8 Bolt M6 x 20 20 25 30 35 50 60 90 110	Hexagon Head Bolt AS Socket Head Screw LI (LI only for STAUFF Groups 1A to 6)

Types of Mounting	
Channel Rail Adaptor	CRA
STAUFF Group: 1, 1A, 2, 3, 4, 5, 6, 7, 8 Bolt M6 x 20 20 25 30 35 50 60 90 110	Hexagon Head Bolt AS Stacking Bolt AF

Types of Installation	
Cover Plate	DP
STAUFF Group: 1, 1A, 2, 3, 4, 5, 6, 7, 8 Bolt M6 x 20 20 25 30 35 50 60 90 110	Hexagon Head Bolt AS Stacking Bolt AF

Types of Mounting	
Hexagon Rail Nut	SM
STAUFF Group: 1, 1A, 2, 3, 4, 5, 6, 7, 8 Bolt M6 x 34 34 40 44 49 64 74 99 124	Hexagon Head Bolt AS Stacking Bolt AF

Types of Installation	
Cover Plate	DP
STAUFF Group: 1, 1A, 2, 3, 4, 5, 6, 7, 8 Bolt M6 x 34 34 40 44 49 64 74 99 124	Hexagon Head Bolt AS Stacking Bolt AF

Types of Mounting	
Hexagon Rail Nut	TS
STAUFF Group: 1, 1A, 2, 3, 4, 5, 6, 7, 8 Bolt M6 x 34 34 40 44 49 64 74 99 124	Hexagon Head Bolt AS Stacking Bolt AF

Types of Installation	
Cover Plate	DP
STAUFF Group: 1, 1A, 2, 3, 4, 5, 6, 7, 8 Bolt M6 x 34 34 40 44 49 64 74 99 124	Hexagon Head Bolt AS Stacking Bolt AF

Types of Mounting	
Single Weld Plate	SPAL
STAUFF Group: 3S, 4S, 5S, 6S, 7S, 8S, 9S, 10S, 11S, 12S Length L: 74 86 100 140 180 226 270 340 520 680 Width B: 30 30 30 45 60 80 90 120 160 180 Thickness S: 8 8 8 10 10 15 15 25 30 30	Hexagon Head Bolt AS Socket Cap Screw IS

Types of Installation	
Cover Plate for Single Clamps	DPAL
STAUFF Group: 3S, 4S, 5S, 6S, 7S, 8S, 9S, 10S, 11S, 12S Length L: 74 86 100 140 180 226 270 340 520 680 Width B: 30 30 30 45 60 80 90 120 160 180 Thickness S: 8 8 8 10 10 15 15 25 30 30	Hexagon Head Bolt AS Socket Cap Screw IS

Types of Mounting	
Weld Plate for Double Clamps	SPAS
STAUFF Group: 3S, 4S, 5S, 6S, 7S, 8S, 9S, 10S, 11S, 12S Length L: 74 86 100 140 180 226 270 340 520 680 Width B: 60 60 60 90 120 160 180 240 324 364 Thickness S: 8 8 8 10 10 15 15 25 30 30	Hexagon Head Bolt AS Socket Cap Screw IS

Types of Installation	
Cover Plate for Double Clamps	DPAS
STAUFF Group: 3S, 4S, 5S, 6S, 7S, 8S, 9S, 10S, 11S, 12S Length L: 74 86 100 140 180 226 270 340 520 680 Width B: 60 60 60 90 120 160 180 240 324 364 Thickness S: 8 8 8 10 10 15 15 25 30 30	Hexagon Head Bolt AS Socket Cap Screw IS

Types of Mounting	
Elongated Weld Plate for Single Clamps	SPAL / DUEB
STAUFF Group: 3S, 4S, 5S, 6S, 7S, 8S, 9S, 10S, 11S, 12S Length L1: 113 125 140 187 238 309 370 440 590 750 Length L2: 85 97 112 155 198 259 310 380 530 690 Width B: 30 30 30 45 60 80 90 120 160 180 Diameter D: 13 13 13 16 21 26 31 31 31 31 Thickness S: 8 8 8 10 10 15 15 25 30 30	Hexagon Head Bolt AS Socket Cap Screw IS

Types of Installation	
Cover Plate for Single Clamps	DPAL
STAUFF Group: 3S, 4S, 5S, 6S Bolt: M10 x 30 M10 x 40 M10 x 50 M12 x 80	Hexagon Head Bolt AS Socket Cap Screw IS

Types of Mounting	
Channel Rail Adaptor	CRA
STAUFF Group: 3S to 5S, 6S Length L: 38 45 Width B: 22 25	Hexagon Head Bolt AS Stacking Bolt AF

Types of Installation	
Cover Plate for Single Clamps	DPAL
STAUFF Group: 3S to 5S, 6S Length L: 38 45 Width B: 22 25	Hexagon Head Bolt AS Stacking Bolt AF

Types of Mounting	
Hexagon Rail Nut	GMV
STAUFF Group: 3S to 5S, 6S Diameter D: 24 24 Height H: 21 23	Hexagon Head Bolt AS Stacking Bolt AF

Types of Installation	
Cover Plate for Single Clamps	DPAL
STAUFF Group: 3S to 5S, 6S Diameter D: 24 24 Height H: 21 23	Hexagon Head Bolt AS Stacking Bolt AF

Types of Mounting	
Mounting Rail	STSV
STAUFF Group: 3S to 6S Length L: 1000 or 2000	Hexagon Head Bolt AS Stacking Bolt AF

Types of Installation	
Cover Plate for Single Clamps	DPAL
STAUFF Group: 3S to 6S Length L: 1000 or 2000	Hexagon Head Bolt AS Stacking Bolt AF

Types of Mounting	
Weld Plate	SP
STAUFF Group: 1D, 2D, 3D, 4D, 5D Length L: 37 55 70 85 110	Thickness = 3, from STAUFF Group 2D on = 5

Types of Installation	
Cover Plate	GD
STAUFF Group: 1D, 2D, 3D, 4D, 5D Bolt: M6 x 35 M8 x 35 M8 x 45 M8 x 50 M8 x 60	Hexagon Head Bolt AS Stacking Bolt AF

Types of Mounting	
Group Weld Plate	RAP
STAUFF Group: 1D, 2D, 3D, 4D, 5D Length L1: 196 288 358 358 558 Length L2: 40 58 72 90 112 Number of Clamps: 5 5 5 5 5	Thickness = 3, from STAUFF Group 2D on = 5

Types of Installation	
Cover Plate	GD
STAUFF Group: 1D, 2D, 3D, 4D, 5D Bolt: M6 x 35 M8 x 35 M8 x 45 M8 x 50 M8 x 60	Hexagon Head Bolt AS Stacking Bolt AF

Types of Mounting	
Channel Rail Adaptor	CRA
STAUFF Group: 1D, 2D, 3D, 4D, 5D Length L: 40 38 38 38 38 Width B: 16 53 53 80 80 Height H: 20,5 27,5 27,5 27,5 27,5	Hexagon Head Bolt AS Stacking Bolt AF

Types of Installation	
Cover Plate	GD
STAUFF Group: 1D, 2D, 3D, 4D, 5D Length L: 40 38 38 38 38 Width B: 16 53 53 80 80 Height H: 20,5 27,5 27,5 27,5 27,5	Hexagon Head Bolt AS Stacking Bolt AF