

Stromag LightXcross LX[®] Geared Cam Limit Switches



Stromag

Founded in 1932, Stromag has grown to become a globally recognized leader in the development and manufacture of innovative power transmission components for industrial drivetrain applications. Stromag engineers utilize the latest design technologies and materials to provide creative, energy-efficient solutions that meet their customer's most challenging requirements.

Stromag's extensive product range includes flexible couplings, disc brakes, limit switches, an array of hydraulically, pneumatically, and electrically actuated brakes, and a complete line of electric, hydraulic and pneumatic clutches.

Stromag engineered solutions improve drivetrain performance in a variety of key markets including energy, off-highway, metals, marine, transportation, printing, textiles, and material handling on applications such as wind turbines, conveyor systems, rolling mills, agriculture and construction machinery, municipal vehicles, forklifts, cranes, presses, deck winches, diesel engines, gensets and stage machinery.

VISIT US ON THE WEB AT STROMAG.COM



Altra Motion

Altra is a leading global designer and producer of a wide range of electromechanical power transmission and motion control components and systems. Providing the essential control of equipment speed, torque, positioning, and other functions, Altra products can be used in nearly any machine, process or application involving motion. From engine braking systems for heavy duty trucks to precision motors embedded in medical robots to brakes used on offshore wind turbines, Altra has been serving customers around the world for decades.

Altra's leading brands include **Ameridrives**, **Bauer** Gear Motor, **Bibby** Turboflex, **Boston** Gear, **Delevan**, **Delroyd** Worm Gear, **Formsprag** Clutch, **Guardian** Couplings, **Huco**, **Jacobs** Vehicle Systems, **Kilian**, **Kollmorgen**, **Lamiflex** Couplings, **Marland** Clutch, **Matrix**, **Nuttall** Gear, **Portescap**, **Stieber**, **Stromag**, **Svendborg** Brakes, **TB Wood's**, **Thomson**, **Twiflex**, **Warner** Electric and **Wichita** Clutch.

VISIT US ON THE WEB AT ALTRAMOTION.COM



CONTENT

Catalog LightXcross LX®: **V**

At a Glance	4
Cross Lever Limit Switch	5
Available Switches	6
Dimensions	7
Key of Types	8

Stromag Geared Cam Limit Switches

AT A GLANCE



STROMAG LIGHTXCROSS® LX

BENEFITS INCLUDE

- Position shown in display and by lever marking
- Without mechanical end stop
- Positive opening contacts

Series LightXcross LX® – Cross Lever Limit Switch

Revision number: 3.1.5.1-01

Revision date: 19.11.2019

Features

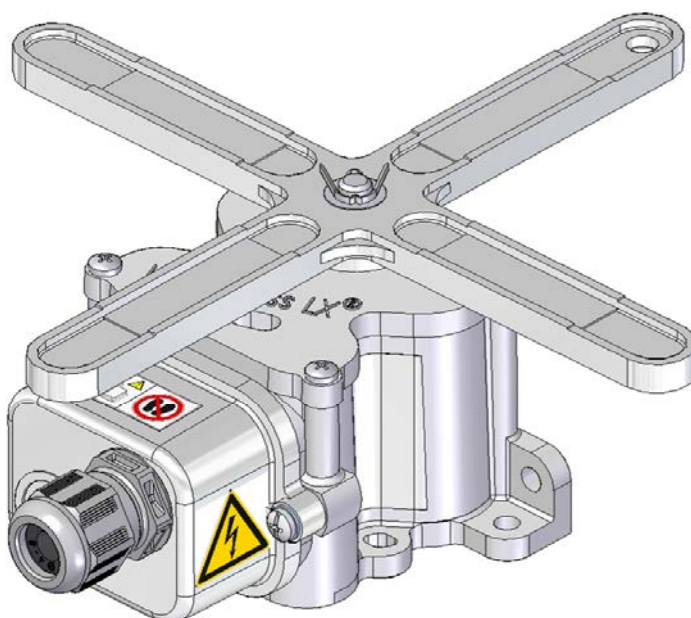
- Five positions, separate contact each for pre- and end stops in both directions
- Actuation via positive connections
- 4 Positive opening contacts

Application

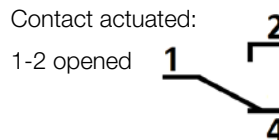
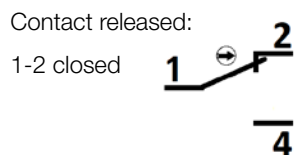
- Cross and long travel for EOT cranes

Additional information

- Position shown on display and by lever marking
- Without mechanical end stop
- Silver contacts, gold plated optional



Contact	Intended purpose	Rotation direction
S1	Emergency stop	ccw
S2	Working stop	ccw
S3	Working stop	cw
S4	Emergency stop	cw



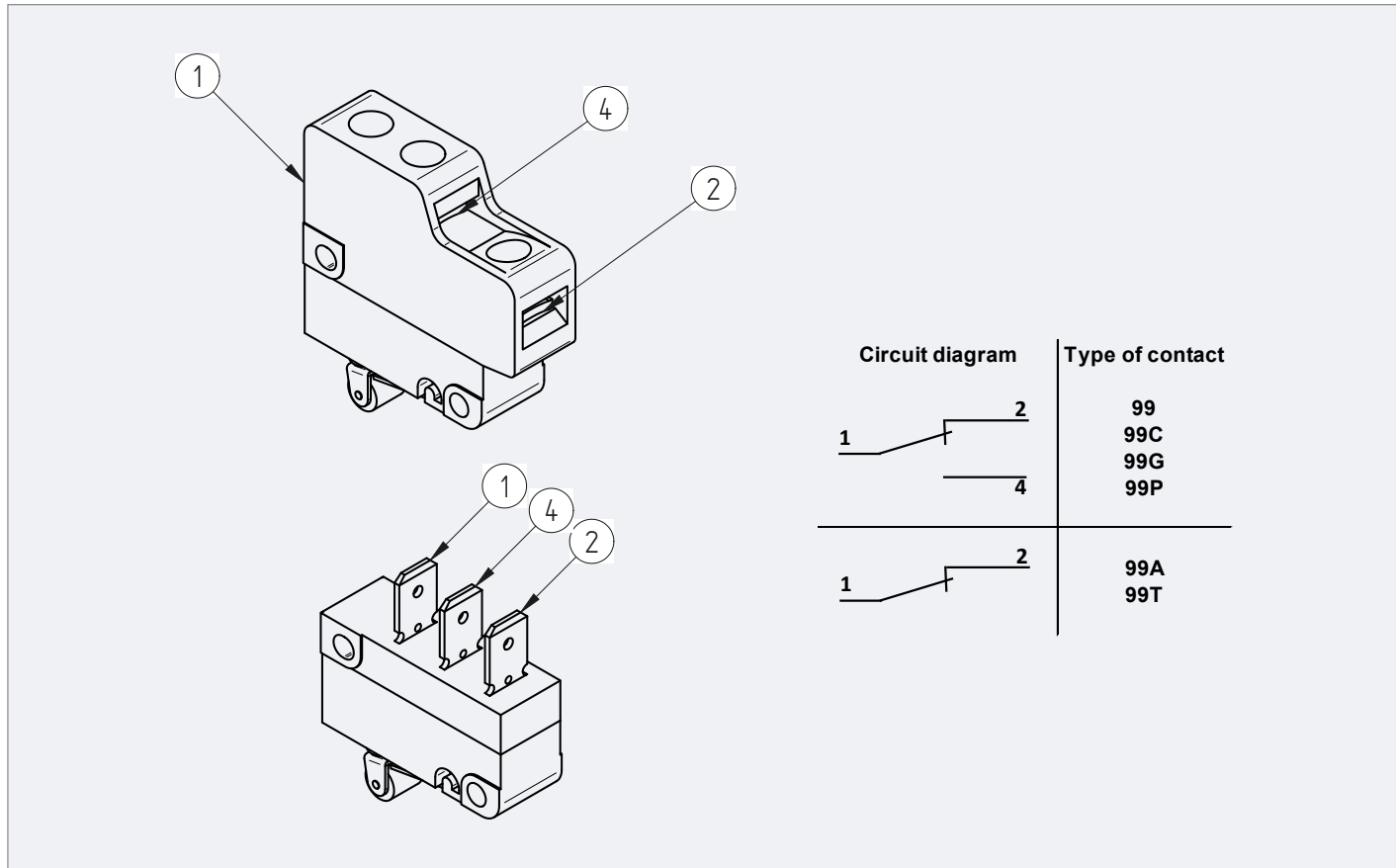
Switch setting / position (rotation direction)					
Contact	1. / +180° (ccw)	2. / +90° (ccw)	3. / 0° (Neutral)	4. / -90° (cw)	5. / -180° (cw)
S1	1-2 opened	1-2 closed			
S2	1-2 opened		1-2 closed		
S3	1-2 closed			1-2 opened	
S4	1-2 closed				1-2 opened

Cross Lever Limit Switch

Series LightXcross LX® – Available Switches

Revision number: 3.1.5.2-01

Revision date: 19.11.2019

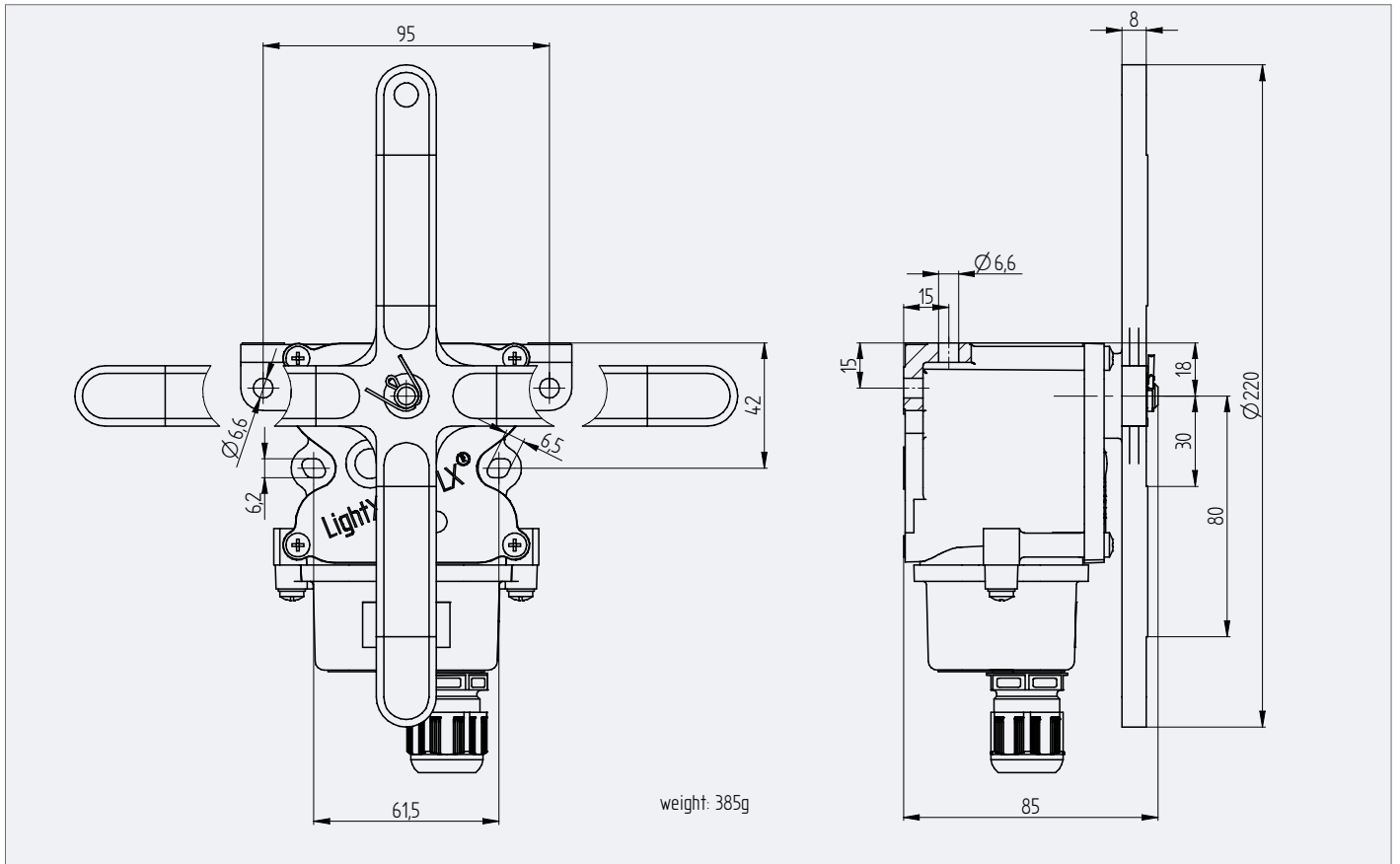


Switching contact			Contact material		Switching system		Connection		Functionality			Electrical data	
Designation	Circuit as a changeover	Circuit as an NC contact	Silver	Gold (PLC-Application)	Snap action switch	Push action switch	Screw terminals; 0,5 - 1,5 mm²/ AWG 22 ... 16	Flat plugs 6,3 mm	Positive opening acc. to EN 60947-5-1 Annex K	Short circuit protection	Utilization category acc. to IEC 60947	Conventional thermal current I _{th}	Rated Insulation Voltage U _i
99	•		•		•		•		•	10A gG	AC-15: 230V, 1,5A DC-13: 60V, 0,5A oder 24V, 2,0A	10A	250V
99G	•			•	•		•		•	2A gR	AC-15: 230V, 1,5A DC-13: 60V, 0,5A oder 24V, 2,0A	10A	250V
99P	•		•		•		•		•	10A gG	AC-15: 230V, 1,5A DC-13: 60V, 0,5A oder 24V, 2,0A	10A	250V
99T		•	•			•	•		•	10A gG	AC-15: 230V, 1,5A DC-13: 60V, 0,5A oder 24V, 2,0A	10A	250V
99A		•		•		•	•		•	2A gR	AC-15: 230V, 1,5A DC-13: 60V, 0,5A oder 24V, 2,0A	10A	250V

Series LightXcross LX[®] – Dimensions

Revision number: 3.1.5.3-01

Revision date: 19.11.2019




Stromag Geared Cam Limit Switches

Cross Lever Limit Switch

Series LightXcross LX® – Key of Types

Revision number: 3.1.5.4-01

Revision date: 19.11.2019

Stromag GmbH Hansastr. 120, 59425 Unna Tel.+49(0)2303102-0 Made in Germany		
Kreuzhebelenschalter Typ 1.25_LX_499 Auftr.Nr _____ Nr. _____ Ref-Nr: _____		
IP		
Baujahr	/	

Series LX			
1.25	nominal revolutions	1.25	5 positions at 90°, fully turn around
LX	Switch type	LX	Cross lever switch LightXcross LX®
4	Number of contacts fitted	4	
99	Type of switching contact	99	Contact (changeover) with screw connections, contact material: Silver →
		99G	Contact (changeover) with screw connections, contact material: Gold →
		99P	Contact (changeover) with flat plug connections, contact material: Silver →
		99T	Contact (push action) with screw connections, contact material: Silver →
		99A	Contact (push action) with screw connections, contact material: Gold →



Premier Industrial Company Leading Brands

OTHER PRODUCT SOLUTIONS FROM **ALTRA MOTION**

Our comprehensive product offerings include various types of clutches and brakes, overrunning clutches, engineered bearing assemblies, gearing and gear motors along with linear motion products, belted drives, couplings, limit switches, precision motors, drives & controls, miniature motors and engine braking systems. With thousands of product solutions available, Altra provides true single source convenience while meeting specific customer requirements. Many major OEMs and end users prefer Altra products as their No. 1 choice for performance and reliability.

WWW.ALTRAMOTION.COM



Electric Clutches & Brakes

Inertia Dynamics
Matrix
Stromag
Warner Electric



Precision Motors & Automation

Kollmorgen



Heavy Duty Clutches & Brakes

Industrial Clutch
Stromag
Svendborg Brakes
Twiflex
Wichita Clutch



Miniature Motors

Portescap



Overrunning Clutches

Formsprag Clutch
Marland Clutch
Stieber



Linear Systems

Thomson



Engineered Couplings & Universal Joints

Ameridrives
Bibby Turboflex
Guardian Couplings
Huco
Lamiflex Couplings
Stromag
TB Wood's



Engine Braking Systems

Jacobs Vehicle Systems



Gear Drives & Gear Motors

Bauer Gear Motor
Boston Gear
Delroyd Worm Gear
Nuttall Gear



Specialty Components

Kilian
Stromag
TB Wood's

Stromag Facilities

Europe

Germany

Hansastraße 120
59425 Unna - Germany
+49 (0) 23 03 102 0

*Clutches & Brakes, Couplings,
Geared Cam Limit Switches, Discs*

Dessauer Str. 10
06844 Dessau-Roßlau - Germany
+49 (0) 340 2190 0

Electromagnetic Clutches & Brakes

France

Avenue de l'Europe
18150 La Guerche sur L'Aubois - France
+33 (0)2 48 80 72 72

Disc Brakes & Drum Brakes

Great Britain

Amphill Road
Bedford, MK42 9RD - UK
+44 (0)1234 324347

*Electromagnetic Clutches & Brakes,
Industrial Caliper Brakes*

North America

USA

31 Industrial Park Road
New Hartford, CT 06057 - USA
860-238-4783

Electromagnetic Clutches & Brakes

300 Indiana Highway 212
Michigan City, IN 46360 - USA
219-874-5248

Couplings

2800 Fisher Rd.
Wichita Falls, TX 76302 - USA
940-723-3400

*Geared Cam Limit Switches,
Industrial Caliper & Drum Brakes*

South America

Brasil

Avenida João Paulo Ablas, 2970
Jardim da Glória, Cotia - SP,
06711-250 - Brasil
+55 (11) 4615-6300

*Flexible Couplings, Bearing
Isolators, and Coupling Guards*

Asia Pacific

China

T40B -5, No. 1765 Chuan Qiao Road
Pudong 201206, Shanghai - China
Tel +86 21-60580600

*Clutches & Brakes, Electromagnetic
Clutches & Brakes, Couplings, Industrial
Caliper & Drum Brakes, Discs, Geared
Cam Limit Switches*

India

Gat No.: 448/14, Shinde Vasti, Nighoje
Tal Khed, Pune- 410 501
+91 2135 622100

*Clutches & Brakes, Electromagnetic
Clutches & Brakes, Couplings, Industrial
Caliper & Drum Brakes, Discs, Geared
Cam Limit Switches, Wind Brakes*

Altra Renewable Energy

Denmark

Jernbanevej 9
5882 Vejstrup
+45 63 255 255

Wind Brakes

The Brands of Altra Motion

Couplings

Ameridrives
www.ameridrives.com

Bibby Turboflex
www.bibbyturboflex.com

Guardian Couplings
www.guardiancouplings.com

Huco
www.huco.com

Lamiflex Couplings
www.lamiflexcouplings.com

Stromag
www.stromag.com

TB Wood's
www.tbwoods.com

Linear Systems

Thomson
www.thomsonlinear.com

Geared Cam Limit Switches

Stromag
www.stromag.com

Engineered Bearing Assemblies

Kilian
www.kilianbearings.com

Electric Clutches & Brakes

Matrix
www.matrix-international.com

Stromag
www.stromag.com

Warner Electric
www.warnerelectric.com

Belted Drives

TB Wood's
www.tbwoods.com

Heavy Duty Clutches & Brakes

Twiflex
www.twiflex.com

Stromag
www.stromag.com

Svendborg Brakes
www.svendborg-brakes.com

Wichita Clutch
www.wichitaclutch.com

Gearing & Specialty Components

Bauer Gear Motor
www.bauergears.com

Boston Gear
www.bostongear.com

Delevan
www.delevan.com

Delroyd Worm Gear
www.delroyd.com

Nuttall Gear
www.nuttallgear.com

Engine Braking Systems

Jacobs Vehicle Systems
www.jacobsvehiclesystems.com

Precision Motors & Automation

Kollmorgen
www.kollmorgen.com

Miniature Motors

Portescap
www.portescap.com

Overrunning Clutches

Formsprag Clutch
www.formsprag.com

Marland Clutch
www.marland.com

Stieber
www.stieberclutch.com

Neither the accuracy nor completeness of the information contained in this publication is guaranteed by the company and may be subject to change in its sole discretion. The operating and performance characteristics of these products may vary depending on the application, installation, operating conditions and environmental factors. The company's terms and conditions of sale can be viewed at <http://www.altramotion.com/terms-and-conditions/sales-terms-and-conditions>. These terms and conditions apply to any person who may buy, acquire or use a product referred to herein, including any person who buys from a licensed distributor of these branded products.

©2021 by Stromag LLC. All rights reserved. All trademarks in this publication are the sole and exclusive property of Stromag LLC or one of its affiliated companies.